

Dell PowerEdge
M1000e, M915, M910, M905,
M805, M710HD, M710, M610x,
M610, M605, and M600

Getting Started With Your System

系统使用入门

Memulai Dengan Sistem Anda

はじめに

시스템 시작 안내서



Dell PowerEdge
M1000e, M915, M910, M905,
M805, M710HD, M710, M610x,
M610, M605, and M600

Getting Started With Your System

Model BMX01, HHB Series, FHB Series



Notes, Cautions, and Warnings



NOTE: A NOTE indicates important information that helps you make better use of your computer.



CAUTION: A CAUTION indicates potential damage to hardware or loss of data if instructions are not followed.



WARNING: A WARNING indicates a potential for property damage, personal injury, or death.

Information in this publication is subject to change without notice.

© 2010 Dell Inc. All rights reserved.

Reproduction of these materials in any manner whatsoever without the written permission of Dell Inc. is strictly forbidden.

Trademarks used in this text: Dell™, the DELL logo, and PowerEdge™ are trademarks of Dell Inc. Citrix™ and XenServer® are either registered trademarks or trademarks of Citrix Systems, Inc. and/or one or more of its subsidiaries, and may be registered in the United States Patent and Trademark Office and in other countries. Intel® is a registered trademark of Intel Corporation in the U.S. and other countries. Microsoft®, Windows®, and Windows Server® are either trademarks or registered trademarks of Microsoft Corporation in the United States and/or other countries. Red Hat® and Red Hat Enterprise Linux® are registered trademarks of Red Hat Inc. in the United States and other countries. SUSE® is a registered trademark of Novell, Inc., in the United States and other countries. VMware® is a registered trademark or trademark (the "Marks") of VMware, Inc. in the United States and/or other jurisdictions. Solaris™ is a trademark of Sun Microsystems, Inc. in the United States and other countries.

Other trademarks and trade names may be used in this publication to refer to either the entities claiming the marks and names or their products. Dell Inc. disclaims any proprietary interest in trademarks and trade names other than its own.

Model BMX01, HHB Series, FHB Series

December 2010

P/N PPTRT

Rev. A00

Installation and Configuration

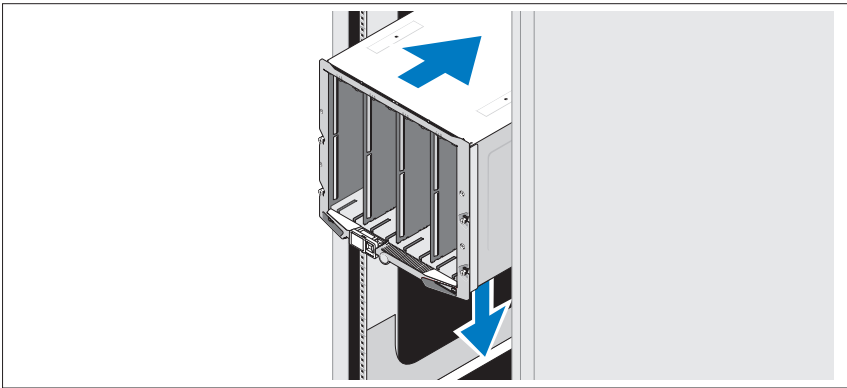
⚠ WARNING: Before performing the following procedure, review the safety instructions that came with the system.

This section describes the steps required to set up your system for the first time.

Unpack the System

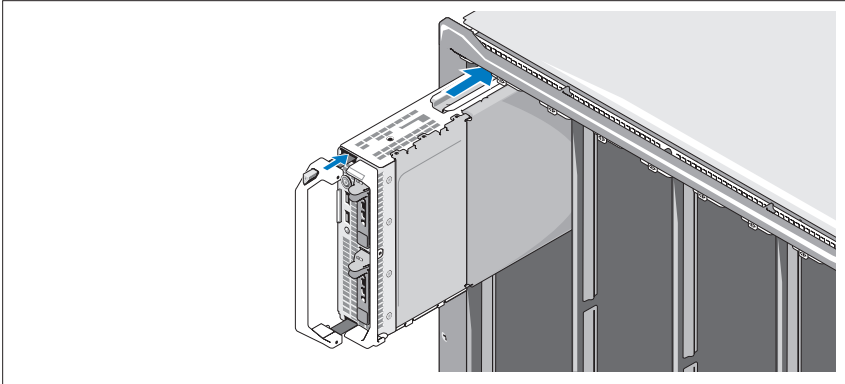
Unpack your system and identify each item.

Installing the Rails and System in a Rack



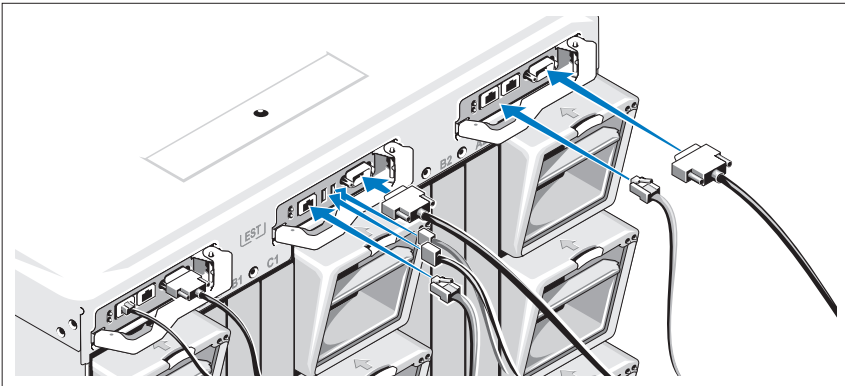
Assemble the rails and install the system in the rack following the safety instructions and the rack installation instructions provided with your enclosure.

Installing the Blades



Beginning at the top, slide the modules into the enclosure from left to right. When the blade is securely installed, the handle returns to the closed position.

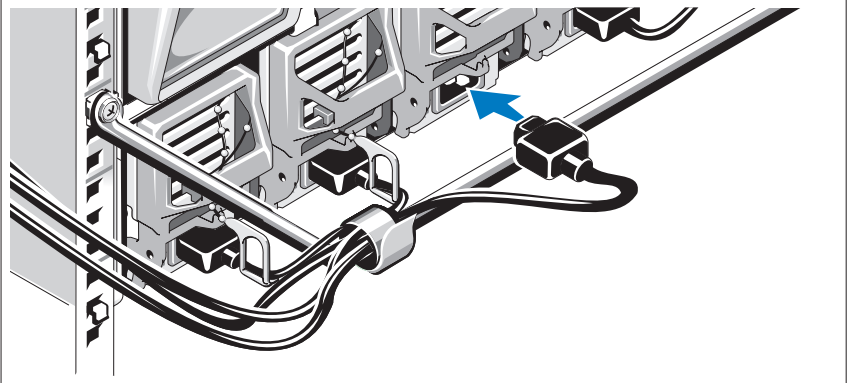
Connecting the CMC and KVM Modules



Connect the serial cable and network cable(s) from the management system to the CMC module. If a second, optional CMC module is installed, connect it as well.

Connect the keyboard, mouse, and monitor to the optional iKVM module.

Connecting the System to Power



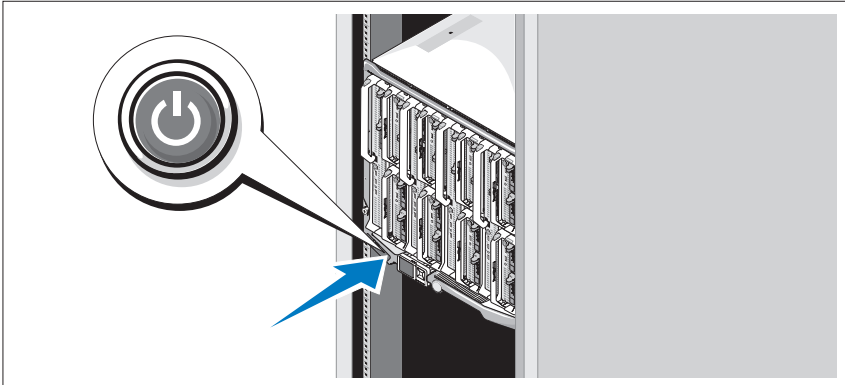
Connect the system's power cables to the system power supplies.

- △ **CAUTION:** To prevent the power cables from being disconnected accidentally, use the plastic clip on each power supply to secure the power cable to the power supply, and use the Velcro strap to secure the cable to the strain-relief bar.


Plug the other end of the power cables into a power distribution unit (PDU).

- △ **CAUTION:** Do not plug the power cables directly into a power outlet; you must use a PDU. For optimal system functionality, a minimum of three power supplies are required.

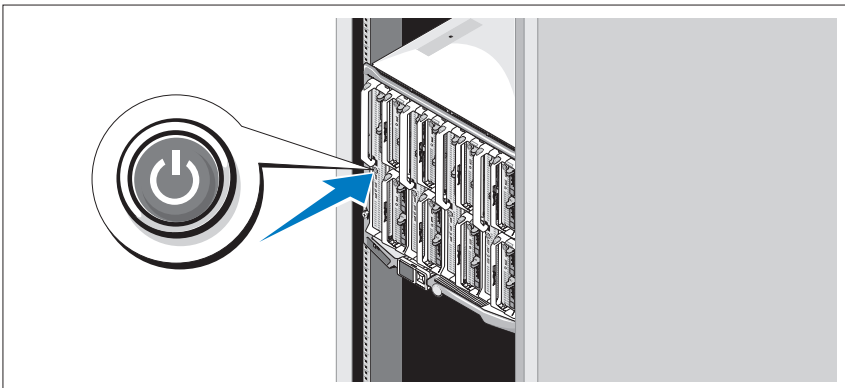
Turning On the System



Press the power button on the enclosure. The power indicator should light.

 **NOTE:** Once you have connected the system to the power supplies, there may be a minimal delay before you can turn on your system.

Turning On the Blades



Press the power button on each blade, or power on the blades using the systems management software.

Complete the Operating System Setup

If you purchased a preinstalled operating system, see the operating system documentation that ships with your system. To install an operating system for the first time, see the installation and configuration documentation for your operating system. Be sure the operating system is installed before installing hardware or software not purchased with the system.

Supported Operating Systems

Operating System	M915	M910	M905	M805	M710	M710HD	M610	M610x	M605
Citrix XenServer 5.5			✓	✓	✓		✓		✓
Citrix XenServer 5.6	✓	✓	✓	✓	✓	✓	✓	✓	✓
Microsoft Windows Server 2008 Hyper-V Server	✓	✓				✓			
Microsoft Windows Essential Business Server 2008 Standard and Premium Editions		✓				✓		✓	
Microsoft Windows HPC Server 2008 (x64)	✓	✓						✓	
Microsoft Windows Server 2008 Standard and Enterprise (x86) Editions		✓			✓	✓	✓	✓	
Microsoft Windows Web Server 2008 (x86) Edition		✓			✓	✓	✓		
Microsoft Windows Web Server 2008 (x86) Edition with SP2		✓							

Operating System	M915	M910	M905	M805	M710	M710HD	M610	M610x	M605
Microsoft Windows Server 2008 Standard and Enterprise (x86) Editions with SP2		✓				✓		✓	
Microsoft Windows Server 2008 Standard, Enterprise, and Datacenter (x64) Editions		✓	✓	✓	✓		✓	✓	
Microsoft Windows Web Server 2008 (x64) Edition		✓			✓		✓	✓	
Microsoft Windows Web Server 2008 (x64) Edition with SP2	✓	✓				✓		✓	
Microsoft Windows Server 2008 R2 Standard, Enterprise, and Datacenter (x64) Editions	✓	✓				✓		✓	
Microsoft Windows Server 2003 Standard and Enterprise Editions									✓
Microsoft Windows Server 2003 Web Edition		✓						✓	✓
Microsoft Windows Server 2003 Standard, Enterprise, and Web Editions with SP1 and later									✓
Microsoft Windows Server 2003 R2 Standard and Enterprise (x86) Editions		✓	✓	✓	✓		✓	✓	✓

Operating System	M915	M910	M905	M805	M710	M710HD	M610	M610x	M605
Microsoft Windows Server 2003 Standard and Enterprise (x64) Editions									✓
Microsoft Windows Server 2003 R2 Standard and Enterprise (x64) Editions			✓	✓	✓		✓	✓	✓
Microsoft Windows Server 2003 R2 Datacenter (x64) Edition					✓		✓	✓	
Microsoft Windows Server 2003 R2 Standard, Enterprise, and Datacenter (x64) Editions with SP2		✓							
Red Hat Enterprise Linux AS, ES, and WS (version 4.0) Update 5 (x86)			✓	✓					✓
Red Hat Enterprise Linux AS, ES, and WS (version 4.0) Update 5 (x86_64)			✓	✓					✓
Red Hat Enterprise Linux AS and ES (version 4.7) (x86)					✓		✓		
Red Hat Enterprise Linux AS and ES (version 4.7) (x86_64)					✓		✓		
Red Hat Enterprise Linux AS and ES (version 4.8) (x86)						✓		✓	

Operating System	M915	M910	M905	M805	M710	M710HD	M610	M610x	M605
Red Hat Enterprise Linux AS and ES (version 4.8) (x86_64)						✓		✓	
Red Hat Enterprise Linux (version 5.0) (x86)			✓	✓		✓			✓
Red Hat Enterprise Linux (version 5.0) (x86_64)			✓	✓	✓	✓			✓
Red Hat Enterprise Linux (version 5.2) (x86)					✓				
Red Hat Enterprise Linux (version 5.5) (x86)	✓					✓		✓	
Red Hat Enterprise Linux (version 5.5) (x86_64)	✓					✓		✓	
Red Hat Enterprise Linux (version 6.0) (x86_64)	✓								
SUSE Linux Enterprise Server 10 (x86_64)			✓	✓	✓				✓
SUSE Linux Enterprise Server 10 (x86_64) SP3	✓	✓				✓		✓	
SUSE Linux Enterprise Server 11 (x86_64)	✓	✓				✓		✓	
Solaris 10 (x86_64)		✓	✓	✓	✓	✓	✓		✓
VMware ESX version 3.0			✓	✓	✓		✓		
VMware ESX version 3.0.2 Update 1									✓
VMware ESX version 3.5			✓	✓	✓		✓		

Operating System	M915	M910	M905	M805	M710	M710HD	M610	M610x	M605
VMware ESX version 4.0 Update 1		✓				✓		✓	
VMware ESXi version 4.0 Update 1		✓				✓		✓	
VMware ESX version 4.0 Update 2	✓								
VMware ESXi version 4.0 Update 2	✓								
VMware ESX version 4.1 Update 1	✓								
VMware ESXi version 4.1 Update 1	✓								

✓—Supported



NOTE: For the latest information on supported operating systems for all PowerEdge systems, see dell.com/ossupport.

Other Information You May Need



WARNING: Before performing the following procedure, review the safety instructions that came with the system.

- The *Configuration Guide* provides information on configuring the system enclosure and the blades.
- *Rack Installation Instructions* included with your rack solution describes how to install your system into a rack.
- The *Hardware Owner's Manual* provides information about system features and describes how to troubleshoot the system and install or replace system components.
- Dell systems management application documentation provides information about installing and using the systems management software.



NOTE: Always check for updates on support.dell.com/manuals and read the updates first because they often supersede information in other documents.

Obtaining Technical Assistance

If you do not understand a procedure in this guide or if the system does not perform as expected, see your *Hardware Owner's Manual*. Dell offers comprehensive hardware training and certification. See dell.com/training for more information. This service may not be offered in all locations.

Información de la NOM (sólo para México)

La información que se proporciona a continuación aparece en el dispositivo que se describe en este documento, en cumplimiento con los requisitos de la Norma Oficial Mexicana (NOM):

Importador: Dell Inc. de México, S.A. de C.V.
Paseo de la Reforma 2620 -11º Piso
Col. Lomas Altas
11950 México, D.F.

Número de modelo: BMX01
Voltaje de alimentación: 100-240 V CA
Frecuencia: 50/60 Hz
Consumo eléctrico: 16 (x6) A

Importador: Dell Inc. de México, S.A. de C.V.
Paseo de la Reforma 2620 -11º Piso
Col. Lomas Altas
11950 México, D.F.

Número de modelo: FHB
Voltaje de alimentación: 12 V CC
Consumo eléctrico: 75 A

Importador: Dell Inc. de México, S.A. de C.V.
Paseo de la Reforma 2620 -11º Piso
Col. Lomas Altas
11950 México, D.F.

Número de modelo: HHB
Voltaje de alimentación: 12 V CC
Consumo eléctrico: 37 A

Technical Specifications

Blade Specifications

Processor

Processor type

PowerEdge M915	Two or four AMD Opteron 6000 series processors (eight- or twelve-core processors)
PowerEdge M910	Two or four Intel Xeon 7000 series processors (up to eight-core processors)
PowerEdge M905	Four dual- or quad-core AMD Opteron 8000 series processors
PowerEdge M805	Two dual- or quad-core AMD Opteron 2000 series processors
PowerEdge M710HD, M710, M610x, M610	One or two dual-, quad-, or six-core Intel Xeon 5000 series processors
PowerEdge M605	One or two dual- or quad-core AMD Opteron 2000 series processors
PowerEdge M600	One or two dual- or quad-core Intel Xeon processors

Memory

Architecture

PowerEdge M915	1333 MHz DDR3 single-, dual-, or quad-ranked registered LV DIMMs (RDIMMs)
PowerEdge M910	DDR3 memory modules, rated for 1066 MHz operation
PowerEdge M905, M805, M605	DDR2 memory modules, rated for 677 MHz operation
PowerEdge M710HD	DDR3 and DDR3L single-, dual-, and quad-rank memory modules, rated for 1066 and 1333 MHz

Memory (continued)

PowerEdge M710, M610x, M610,	800, 1066, or 1333 MHz DDR3 single- or dual-ranked registered DIMMs (RDIMMs) or unbuffered DIMMs (UDIMMs) or 800 or 1066 MHz DDR3 quad-ranked registered DIMMs (RDIMMs) or unbuffered DIMMs (UDIMMs)
PowerEdge M600	FBD memory modules, rated for 677 MHz operation

Memory module sockets

PowerEdge M915, M910	32 240-pin sockets
PowerEdge M905	24 240-pin sockets
PowerEdge M805	16 240-pin sockets
PowerEdge M710HD, M710	18 240-pin sockets
PowerEdge M610x, M610	12 240-pin sockets
PowerEdge M605, M600	Eight 240-pin sockets

Memory module capacities

PowerEdge M915	1 GB, 2 GB, 4 GB, 8 GB, and 16 GB LV DIMMs
PowerEdge M910	1 GB, 2 GB, 4 GB, 8 GB, and 16 GB RDIMMs
PowerEdge M905, M805,	1 GB, 2 GB, 4 GB, and 8 GB
PowerEdge M710HD	1 GB, 2 GB, 4 GB, 8 GB, and 16 GB RDIMMs and LV DIMMs
PowerEdge M710, M610x, M610	2 GB, 4 GB, 8 GB, and 16 GB RDIMMs and LV DIMMs; 1 GB and 2 GB UDIMMs
PowerEdge M605, M600	512 MB, 1 GB, 2 GB, 4 GB, and 8 GB

Minimum RAM

PowerEdge M915	8 GB
PowerEdge M910	4 GB
PowerEdge M905	8 GB (Eight 1 GB memory modules)
PowerEdge M805	4 GB (Four 1 GB memory modules)
PowerEdge M710D	4 GB

Memory (continued)

PowerEdge M710, M610x, M610	One 1 GB memory module (one-processor system) or two 1 GB memory modules (two-processor systems)
PowerEdge M605, M600	1 GB (two 512 MB memory modules)

Maximum RAM

PowerEdge M915	512 GB
PowerEdge M910	512 GB
PowerEdge M905	192 GB
PowerEdge M805	128 GB
PowerEdge M710HD	288 GB
PowerEdge M710	288 GB (Eighteen 16 GB RDIMMs); 36 GB (Eighteen 2 GB UDIMMs)
PowerEdge M610x, M610	192 GB (Twelve 16 GB RDIMMs); 24 GB (Twelve 2 GB UDIMMs)
PowerEdge M605, M600	64 GB

Drives

Hard Drives

PowerEdge M915, M910	Up to two 2.5-inch SAS hard drives support through value RAID or performance RAID storage card. <i>or</i> Up to two 2.5-inch SSD hard drives support through value RAID or performance RAID storage card.
PowerEdge M905, M805	Up to two 2.5-inch SAS hard drives support through value RAID or performance RAID storage card.
PowerEdge M710HD	Up to two 2.5-inch SAS hard drives support through PERC H200 embedded storage controller. <i>or</i> Up to two 2.5-inch SSD hard drives support through PERC H200 embedded storage controller.
PowerEdge M710	Up to four 2.5-inch SAS hard drives support through value RAID or performance RAID storage card.

Drives (continued)

PowerEdge M600, M610x, M610	One 2.5-inch SATA hard drive support through non-RAID, value RAID, or performance RAID storage card. <i>or</i> Two 2.5-inch SATA hard drives support through value RAID or performance RAID storage card. <i>or</i> One solid-state disk (SSD) hard drive support through non-RAID storage card. <i>or</i> Up to two SAS hard drives support through value RAID or performance RAID storage card.
PowerEdge M605	Up to two SATA hard drives support through value RAID or performance RAID storage card. <i>or</i> Up to two solid-state disk (SSD) hard drives support through non-RAID storage card. <i>or</i> Up to two SAS hard drives support through value RAID or performance RAID storage card. NOTE: For all modular systems, SAS and SATA hard drives cannot be mixed within a blade. NOTE: Hot-plug operation is supported if an optional RAID controller card is installed.

Connectors

External

USB

PowerEdge M915, M910, M905, M805, M710	Three 4-pin, USB 2.0 compliant
PowerEdge M710HD, M610x, M610, M605, M600	Two 4-pin, USB 2.0 compliant

Connectors (continued)

Internal

Internal Secure Digital (SD) module (PowerEdge M915, M910, M905, M805, M710HD, M710, M610x, M610) One optional flash memory card slot with the internal SD module.

Internal Secure Digital (SD) vFlash module (PowerEdge M915, M910, M710HD, M710, M610x, M610) One optional vFlash memory card slot for use with the iDRAC Enterprise support.

USB key (PowerEdge M915, M910, M710HD, M710, M610x, M610) One internal USB key connector.

PCIe Expansion Solution

PowerEdge M610x Supports two single-wide or one double-wide full length standard PCIe card.

Mezzanine Cards

PowerEdge M915, M910 Up to four PCIe Gen 2 x8 mezzanine card slots, supporting dual-port Gb Ethernet, 10 Gb Ethernet, FC8 Fibre Channel, or Infiniband mezzanine cards.

PowerEdge M905, M805 Up to four PCIe Gen 1 x8 mezzanine card slots, supporting dual-port Gb Ethernet, 10 Gb Ethernet, FC8 or FC4 Fibre Channel, or 4x DDR Infiniband mezzanine cards.

PowerEdge M710HD Up to two PCIe Gen 2 x8 mezzanine card slots, supporting dual-port and quad-port Gb Ethernet, 10 Gb Ethernet, FC8 or FC4 Fibre Channel, or 4x DDR Infiniband mezzanine cards.

PowerEdge M710 Up to four PCIe Gen 2 mezzanine card slots (three x8 and one x4 lane width), supporting dual-port Gb Ethernet, 10 Gb Ethernet, FC8 or FC4 Fibre Channel, or 4x DDR Infiniband mezzanine cards.

Mezzanine Cards (continued)

PowerEdge M610x, M610	Up to two PCIe Gen 2 x8 mezzanine card slots, supporting dual-port Gb Ethernet, 10 Gb Ethernet, FC8 or FC4 (M610 only) Fibre Channel, or 4x DDR Infiniband mezzanine cards.
PowerEdge M605, M600	Up to two PCIe x8 mezzanine card slots, supporting dual-port Gb Ethernet, 10 Gb Ethernet, FC8 or FC4 Fibre Channel, or 4x DDR Infiniband mezzanine cards.

Embedded Ethernet Controllers

PowerEdge M915, M910, M905, M805, M710HD, M710	Four Ethernet ports with TOE and iSCSI boot support, provided by two integrated dual-port Broadcom 5709S Ethernet controllers.
PowerEdge M610x, M610	Two Ethernet ports with TOE and iSCSI boot support, provided by one integrated dual-port Broadcom 5709S Ethernet controller.
PowerEdge M605, M600	Two Ethernet ports with TOE and iSCSI boot support, provided by two integrated Broadcom 5708S controllers.

Video Controller

PowerEdge M905, M805, M605, M600	ATI RN50 video controller. 32 MB video memory
PowerEdge M915, M910, M710HD, M710, M610x, M610	Matrox G200 video controller. 8 MB video memory

Physical

PowerEdge M915	
Height	38.5 cm (15.2 in)
Width	5 cm (2 in)
Depth	48.6 cm (19.2 in)
Weight (maximum configuration)	12.7 kg (28 lb)

Physical (continued)

PowerEdge M910

Height	38.5 cm (15.2 in)
Width	5 cm (2 in)
Depth	48.6 cm (19.2 in)
Weight (maximum configuration)	13.1 kg (29 lb)

PowerEdge M905, M805, M710, M610x

Height	38.5 cm (15.2 in)
Width	5 cm (2 in)
Depth	48.6 cm (19.2 in)
Weight (maximum configuration)	11.1 kg (24.5 lb)

PowerEdge M710HD

Height	18.9 cm (7.4 in)
Width	5 cm (2 in)
Depth	48.6 cm (19.2 in)
Weight (maximum configuration)	7.4 kg (16.3 lb)

PowerEdge M605, M600

Height	18.9 cm (7.4 in)
Width	5 cm (2 in)
Depth	48.6 cm (19.2 in)
Weight (maximum configuration)	5.2–6.4 kg (11.5–14.0 lb)

Battery

NVRAM backup battery	CR 2032 3.0-V lithium coin cell
----------------------	---------------------------------

System Enclosure Specifications

Physical

Height	44.0 cm (17.3 in)
Width	44.7 cm (17.6 in)
Depth	75.5 cm (29.7 in)
Weight (maximum configuration)	178.3 kg (392.2 lb)
Weight (empty)	44.6 kg (98.1 lb)

Power Supply Module

AC/DC power supply (per power supply)

Wattage	2360 W and 2700 W
Connector	IEC C20
Heat dissipation	1205 BTU/hr. maximum
Maximum inrush current	Under typical line conditions and over the entire system ambient operating range, the inrush current may reach 55 A per power supply for 10 ms or less.

System Voltage Requirements 14.4 A, 200–240 VAC, 50/60 Hz

Optional Avocent iKVM Module

Externally accessible connectors

USB	Two 4-pin, USB 2.0-compliant connectors for keyboard and mouse support
ACI port	RJ-45
Video	15-pin VGA

Chassis Management Controller Module

Externally accessible connectors

Remote management	Two dedicated 10/100/1000 Mb RJ-45 (for integrated Ethernet remote access controller). Gb port connects to the external management network. STK port allows CMCs in adjacent enclosures to be daisy chained.
Serial	9-pin, DTE, 16550-compatible
Video	15-pin VGA

Battery	CR 2032 3.0-V lithium ion coin cell
---------	-------------------------------------

Enclosure Control Panel

Externally accessible connectors

USB	Two 4-pin, USB 2.0-compliant connectors for keyboard and mouse support
Video	15-pin VGA

LCD Panel

Features	Four cursor control keys, one select key, and an LCD screen
----------	---

Environmental

NOTE: For additional information about environmental measurements for specific system configurations, see dell.com/environmental_datasheets. The system is not for use in an office environment.

Temperature

Operating	10 °C to 35 °C (50 °F to 95 °F) NOTE: Decrease the maximum temperature by 1 °C (1.8 °F) per 300 m (985 ft) above 900 m (2955 ft).
Storage	-40 °C to 65 °C (-40 °F to 149 °F)

Environmental (continued)

Relative humidity

Operating	20% to 80% (noncondensing) at a maximum wet bulb temperature of 29 °C (84.2 °F)
Storage	5% to 95% (noncondensing) at a maximum wet bulb temperature of 38 °C (100.4 °F)

Maximum vibration

Operating	0.26 Grms at 10 Hz–350 Hz for 15 min
Storage	1.54 Grms at 10 Hz–250 Hz for 15 min

Maximum shock

Operating	One shock pulse in the positive z axis (one pulse on each side of the system) of 41 G for up to 2 ms
Storage	Six consecutively executed shock pulses in the positive and negative x, y, and z axes (one pulse on each side of the system) of 71 G for up to 2 ms

Altitude

Operating	–15.2 m to 3,048 m (–50 ft to 10,000 ft)
Storage	–15.2 m to 10,600 m (–50 ft to 35,000 ft)

Airborne Contaminant Level

Class	G1 as defined by ISA-S71.04-1985
-------	----------------------------------

I/O Module Specifications

For information about the I/O modules and pass-through modules supported on your enclosure, see the *Dell PowerEdge M1000e Systems Configuration Guide* at support.dell.com/manuals.

Dell PowerEdge
M1000e、M915、M910、
M905、M805、M710HD、
M710、M610x、M610、
M605 和 M600
系统使用入门

型号 BMX01. HHB 系列. FHB 系列



注、小心和警告



注：“注”表示可以帮助您更好地使用计算机的重要信息。



小心：“小心”表示如果不遵循说明，就有可能损坏硬件或导致数据丢失。



警告：“警告”表示可能会导致财产损失、人身伤害甚至死亡。

本出版物中的信息如有更改，恕不另行通知。

© 2010 Dell Inc. 版权所有，翻印必究。

未经 Dell Inc. 书面许可，严禁以任何形式复制这些材料。

本文中使用的商标：Dell™、DELL 徽标和 PowerEdge™ 是 Dell Inc. 的商标。Citrix™ 和 XenServer® 是 Citrix Systems, Inc. 和 / 或其一个或多个子公司的注册商标，并可能已在美国专利商标局和其它国家 / 地区注册。Intel® 是 Intel Corporation 在美国和其它国家 / 地区的注册商标。Microsoft®、Windows® 和 Windows Server® 是 Microsoft Corporation 在美国和 / 或其它国家 / 地区的商标或注册商标。Red Hat® 和 Red Hat Enterprise Linux® 是 Red Hat, Inc. 在美国和其它国家 / 地区的注册商标。SUSE® 是 Novell, Inc. 在美国和其它国家 / 地区的注册商标。VMware® 是 VMware, Inc. 在美国和 / 或其它管辖区域的注册商标或商标（“标记”）。Solaris™ 是 Sun Microsystems, Inc. 在美国和其它国家 / 地区的商标。

本出版物中可能使用其它商标和产品名称提及拥有相应商标和产品名称的实体或其制造的产品。Dell Inc. 对其它公司的商标和名称不拥有任何所有权。

型号 BMX01, HHB 系列, FHB 系列

2010 年 12 月 P/N PPTRT Rev. A00

安装和配置

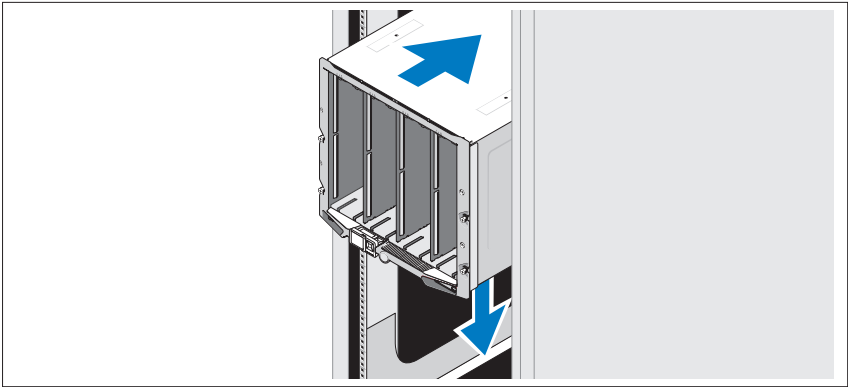
⚠ 警告： 执行下列步骤之前，请查看系统随附的安全说明。

本节介绍初次安装系统所需的步骤。

打开系统包装

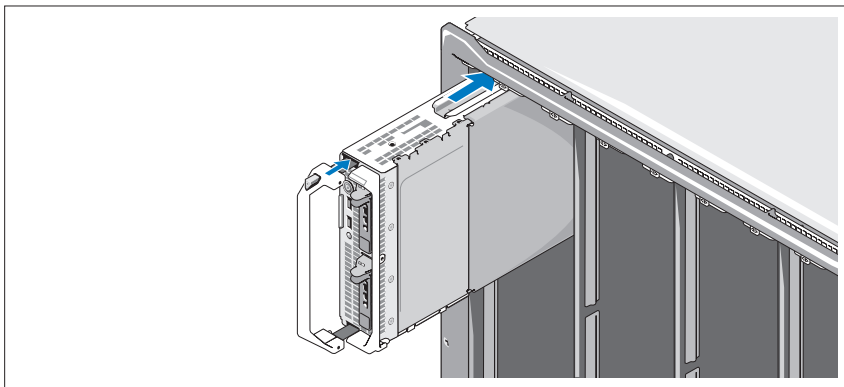
打开系统包装并检查各个组件。

在机架中安装滑轨和系统



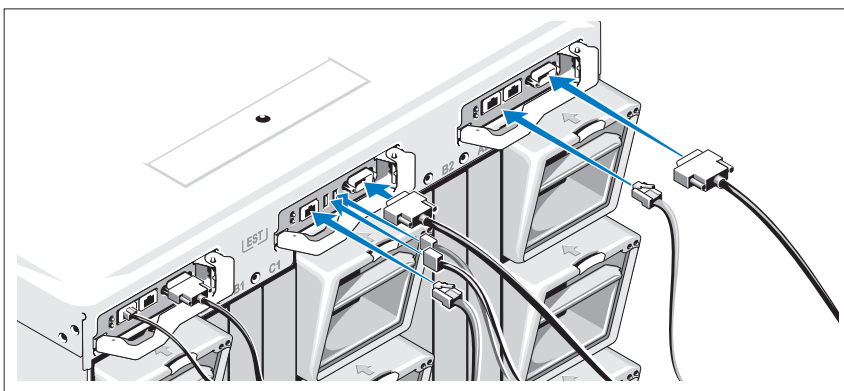
遵循机壳随附的安全说明和机架安装说明，在机架中组装滑轨并安装系统。

安装刀片



从上面开始，将模块从左向右滑入机壳中。稳固地安装好刀片后，手柄返回到关闭位置。

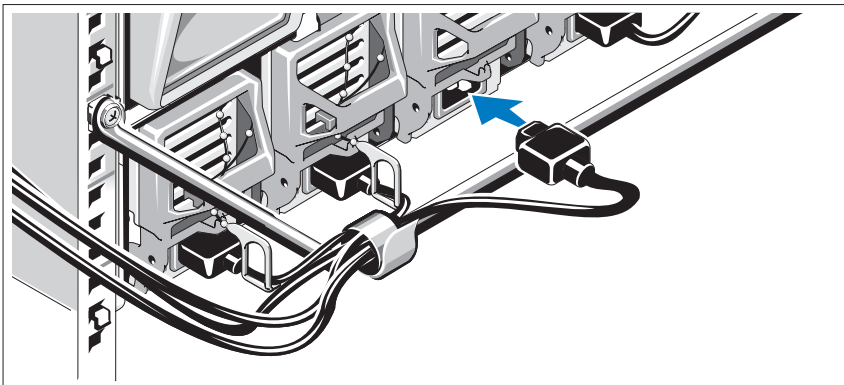
连接 CMC 和 KVM 模块



将串行电缆和网络电缆从管理系统连接到 CMC 模块。如果安装了第二个可选的 CMC 模块，也将其连接。

将键盘、鼠标和显示器连接到可选的 iKVM 模块。

将系统连接到电源



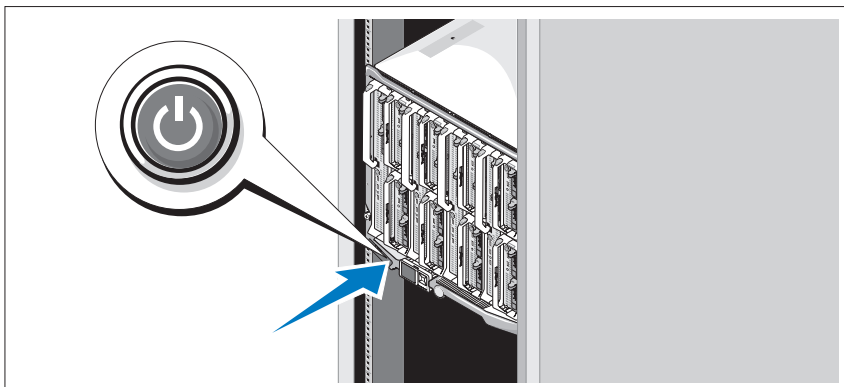
将系统的电源电缆连接到系统电源设备上。

△ 小心：为防止电源电缆意外断开连接，请在每个电源设备上使用塑料夹，以便将电源电缆固定在电源设备上，并使用 Velcro 带将电缆固定到张力释放杠上。

将电源电缆的另一端插入配电装置 (PDU)。

△ 小心：切勿将电源电缆直接插入电源插座；请务必使用 PDU。为发挥最佳系统功能，需要配备至少三个电源设备。

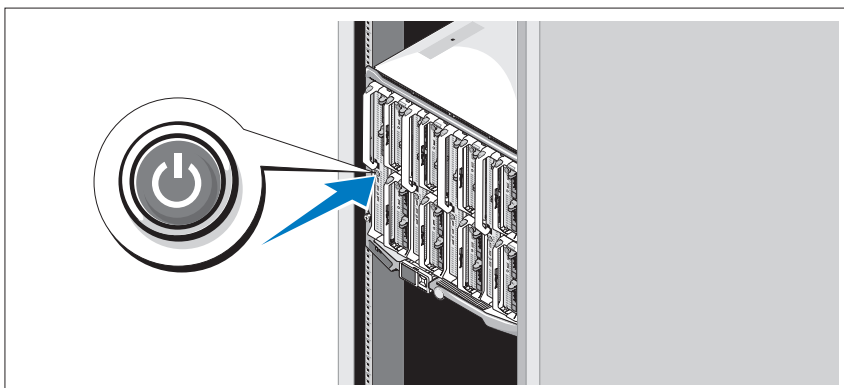
开启系统



按下机壳上的电源按钮。电源指示灯将会亮起。

注：将系统连接到电源设备后，在您开启系统前可能会有几秒的延迟。

开启刀片



按下每个刀片上的电源按钮，或者使用系统管理软件打开刀片的电源。

完成操作系统安装

如果购买了预安装的操作系统，请参阅系统随附的操作系统说明文件。第一次安装操作系统时，请参阅操作系统的安装和配置说明文件。请确保先安装操作系统，然后再安装未随系统一起购买的硬件或软件。

支持的操作系统

操作系统	M915	M910	M905	M805	M710	M710HD	M610	M610x	M605
Citrix XenServer 5.5			✓	✓	✓		✓		✓
Citrix XenServer 5.6	✓	✓	✓	✓	✓	✓	✓	✓	✓
Microsoft Windows Server 2008 Hyper-V Server	✓	✓				✓			
Microsoft Windows Essential Business Server 2008 Standard 版和 Premium 版		✓				✓		✓	
Microsoft Windows HPC Server 2008 (x64)	✓	✓						✓	
Microsoft Windows Server 2008 Standard 版和 Enterprise (x86) 版		✓			✓	✓	✓	✓	
Microsoft Windows Web Server 2008 (x86) 版		✓			✓	✓	✓		
Microsoft Windows Web Server 2008 (x86) 版 (含 SP2)		✓							
Microsoft Windows Server 2008 Standard 版和 Enterprise (x86) 版 (含 SP2)		✓						✓	

操作系统	M915	M910	M905	M805	M710	M710HD	M610	M610x	M605
Microsoft Windows Server 2008 Standard 版、Enterprise 版和 Datacenter (x64) 版		✓	✓	✓	✓		✓	✓	
Microsoft Windows Web Server 2008 (x64) 版		✓			✓		✓	✓	
Microsoft Windows Web Server 2008 (x64) 版 (含 SP2)	✓	✓				✓		✓	
Microsoft Windows Server 2008 R2 Standard 版、Enterprise 版和 Datacenter (x64) 版	✓	✓				✓		✓	
Microsoft Windows Server 2003 Standard 版和 Enterprise 版									✓
Microsoft Windows Server 2003 Web 版		✓						✓	✓
Microsoft Windows Server 2003 Standard 版、Enterprise 版和 Web 版 (含 SP1 及更高版本)									✓
Microsoft Windows Server 2003 R2 Standard 版和 Enterprise (x86) 版		✓	✓	✓	✓		✓	✓	✓
Microsoft Windows Server 2003 Standard 版和 Enterprise (x64) 版									✓
Microsoft Windows Server 2003 R2 Standard 版和 Enterprise (x64) 版			✓	✓	✓		✓	✓	✓

操作系统	M915	M910	M905	M805	M710	M710HD	M610	M610x	M605
Microsoft Windows Server 2003 R2 Datacenter (x64) 版					✓		✓	✓	
Microsoft Windows Server 2003 R2 Standard 版、Enterprise 版和 Datacenter (x64) 版 (含 SP2)		✓							
Red Hat Enterprise Linux AS、ES 和 WS (版本 4.0) Update 5 (x86)			✓	✓					✓
Red Hat Enterprise Linux AS、ES 和 WS (版本 4.0) Update 5 (x86_64)			✓	✓					✓
Red Hat Enterprise Linux AS 和 ES (版本 4.7) (x86)					✓		✓		
Red Hat Enterprise Linux AS 和 ES (版本 4.7) (x86_64)					✓		✓		
Red Hat Enterprise Linux AS 和 ES (版本 4.8) (x86)						✓		✓	
Red Hat Enterprise Linux AS 和 ES (版本 4.8) (x86_64)						✓		✓	
Red Hat Enterprise Linux (版本 5.0) (x86)			✓	✓		✓			✓
Red Hat Enterprise Linux (版本 5.0) (x86_64)			✓	✓	✓	✓			✓
Red Hat Enterprise Linux (版本 5.2) (x86)					✓				

操作系统	M915	M910	M905	M805	M710	M710HD	M610	M610x	M605
Red Hat Enterprise Linux (版本 5.5) (x86)	✓					✓		✓	
Red Hat Enterprise Linux (版本 5.5) (x86_64)	✓					✓		✓	
Red Hat Enterprise Linux (版本 6.0) (x86_64)	✓								
SUSE Linux Enterprise Server 10 (x86_64)			✓	✓	✓				✓
SUSE Linux Enterprise Server 10 (x86_64) SP3	✓	✓				✓		✓	
SUSE Linux Enterprise Server 11 (x86_64)	✓	✓				✓		✓	
Solaris 10 (x86_64)		✓	✓	✓	✓	✓	✓		✓
VMware ESX 版本 3.0			✓	✓	✓		✓		
VMware ESX 版本 3.0.2 Update 1									✓
VMware ESX 版本 3.5			✓	✓	✓		✓		
VMware ESX 版本 4.0 Update 1		✓				✓		✓	
VMware ESXi 版本 4.0 Update 1		✓				✓		✓	
VMware ESX 版本 4.0 Update 2	✓								
VMware ESXi 版本 4.0 Update 2	✓								

操作系统	M915	M910	M905	M805	M710	M710HD	M610	M610x	M605
VMware ESX 版本 4.1 Update 1	✓								
VMware ESXi 版本 4.1 Update 1	✓								

✓ 受支持



注：有关所有 PowerEdge 系统支持的操作系统的最新信息，请参阅 dell.com/ossupport。

可能需要的其它信息



警告：执行下列步骤之前，请查看系统随附的安全说明。

- 《配置指南》提供了有关配置系统机壳和刀片的信息。
- 您的机架解决方案附带的《机架安装指南》介绍了如何将系统安装到机架中。
- 《硬件用户手册》提供了有关系统功能的信息，并说明了如何排除系统故障以及安装或更换系统组件。
- Dell 系统管理应用程序说明文件提供了关于安装和使用系统管理软件的信息。



注：请经常访问 support.dell.com/manuals 以获得更新，并首先阅读这些更新，因为这些更新通常会取代其它说明文件中的信息。

获得技术帮助

如果您对本指南中的步骤有疑问，或系统运行无法达到预期效果，请参阅《硬件用户手册》。Dell 提供全面的硬件培训和认证。有关详情，请参阅 dell.com/training。此项服务可能并非在所有地区都提供。

技术规格

刀片规格

处理器

处理器类型

PowerEdge M915	两个或四个 AMD Opteron 6000 系列处理器 (8 核或 12 核处理器)
PowerEdge M910	两个或四个 Intel Xeon 7000 系列处理器 (多达 8 核处理器)
PowerEdge M905	四个双核或四核 AMD Opteron 8000 系列处理器
PowerEdge M805	两个双核或四核 AMD Opteron 2000 系列处理器
PowerEdge M710HD、 M710、M610x、M610	一个或两个双核、四核或六核 Intel Xeon 5000 系列 处理器
PowerEdge M605	一个或两个双核或四核 AMD Opteron 2000 系列处 理器
PowerEdge M600	一个或两个双核或四核 Intel Xeon 处理器

内存

架构

PowerEdge M915	1333 MHz DDR3 单列、双列或四列已注册的 LV DIMM (RDIMM)
PowerEdge M910	DDR3 内存模块，额定运行速率为 1066 MHz
PowerEdge M905、M805、 M605	DDR2 内存模块，额定运行速率为 677 MHz
PowerEdge M710HD	DDR3 和 DDR3L 单列、双列和四列内存模块， 额定运行速率为 1066 和 1333 MHz
PowerEdge M710、 M610x、M610，	800、1066 或 1333 MHz DDR3 单列或双列已注册 的 DIMM (RDIMM) 或无缓冲 DIMM (UDIMM) 或 800 或 1066 MHz DDR3 四列已注册的 DIMM (RDIMM) 或无缓冲 DIMM (UDIMM)
PowerEdge M600	FBD 内存模块，额定运行速率为 677 MHz

内存 (续)

内存模块插槽

PowerEdge M915、M910	32 个 240 针插槽
PowerEdge M905	24 个 240 针插槽
PowerEdge M805	16 个 240 针插槽
PowerEdge M710HD、 M710	18 个 240 针插槽
PowerEdge M610x、M610	12 个 240 针插槽
PowerEdge M605、M600	8 个 240 针插槽

内存模块容量

PowerEdge M915	1 GB、2 GB、4 GB、8 GB 和 16 GB LV DIMM
PowerEdge M910	1 GB、2 GB、4 GB、8 GB 和 16 GB RDIMM
PowerEdge M905、M805、	1 GB、2 GB、4 GB 和 8 GB
PowerEdge M710HD	1 GB、2 GB、4 GB、8 GB 和 16 GB RDIMM 和 LV DIMM
PowerEdge M710、 M610x、M610	2 GB 4 GB 8 GB 和 16 GB RDIMM 和 LV DIMM ; 1 GB 和 2 GB UDIMM
PowerEdge M605、M600	512 MB、1 GB、2 GB、4 GB 和 8 GB

最小 RAM

PowerEdge M915	8 GB
PowerEdge M910	4 GB
PowerEdge M905	8 GB (八个 1 GB 内存模块)
PowerEdge M805	4 GB (四个 1 GB 内存模块)
PowerEdge M710D	4 GB
PowerEdge M710、 M610x、M610	一个 1 GB 内存模块 (单处理器系统) 或两个 1 GB 内存模块 (双处理器系统)
PowerEdge M605、M600	1 GB (两个 512 MB 内存模块)

最大 RAM

PowerEdge M915	512 GB
PowerEdge M910	512 GB

内存 (续)

PowerEdge M905	192 GB
PowerEdge M805	128 GB
PowerEdge M710HD	288 GB
PowerEdge M710	288 GB (18 个 16 GB RDIMM) ; 36 GB (18 个 2 GB UDIMM)
PowerEdge M610x、 M610	192 GB (12 个 16 GB RDIMM) ; 24 GB (12 个 2 GB UDIMM)
PowerEdge M605、M600	64 GB

驱动器

硬盘驱动器

PowerEdge M915、M910	通过值 RAID 或高性能 RAID 存储卡最多支持两个 2.5 英寸 SAS 硬盘驱动器。 <i>或</i> 通过值 RAID 或高性能 RAID 存储卡最多支持两个 2.5 英寸 SSD 硬盘驱动器。
PowerEdge M905、M805	通过值 RAID 或高性能 RAID 存储卡最多支持两个 2.5 英寸 SAS 硬盘驱动器。
PowerEdge M710HD	通过 PERC H200 嵌入式存储控制器最多支持两个 2.5 英寸 SAS 硬盘驱动器。 <i>或</i> 通过 PERC H200 嵌入式存储控制器最多支持两个 2.5 英寸 SSD 硬盘驱动器。
PowerEdge M710	通过值 RAID 或高性能 RAID 存储卡最多支持四个 2.5 英寸 SAS 硬盘驱动器。

驱动器 (续)

PowerEdge M600、
M610x、M610

通过非 RAID、值 RAID 或高性能 RAID 存储卡支持一个 2.5 英寸 SATA 硬盘驱动器。

或

通过值 RAID 或高性能 RAID 存储卡支持两个 2.5 英寸 SATA 硬盘驱动器。

或

通过非 RAID 存储卡支持一个固态硬盘 (SSD) 硬盘驱动器。

或

通过值 RAID 或高性能 RAID 存储卡最多支持两个 SAS 硬盘驱动器。

PowerEdge M605

通过值 RAID 或高性能 RAID 存储卡最多支持两个 SATA 硬盘驱动器。

或

通过非 RAID 存储卡最多支持两个固态硬盘 (SSD) 硬盘驱动器。

或

通过值 RAID 或高性能 RAID 存储卡最多支持两个 SAS 硬盘驱动器。

注：对于所有的模块化系统，都不能在一个刀片中混合使用 SAS 和 SATA 硬盘驱动器。

注：如果安装了可选的 RAID 控制器卡，则支持热插拔操作。

连接器

外部

USB

PowerEdge M915、
M910、M905、M805、
M710

三个 4 针、USB 2.0 兼容连接器

PowerEdge M710HD、
M610x、M610、
M605、M600

两个 4 针、USB 2.0 兼容连接器

连接器 (续)

内部

内部安全数字 (SD) 模块 (PowerEdge M915、 M910、M905、M805、 M710HD、M710、 M610x、M610)	一个可选的闪存卡插槽，含内部 SD 模块。
内部安全数字 (SD) vFlash 模块 (PowerEdge M915、 M910、M710HD、 M710、M610x、M610)	一个可选的 vFlash 内存卡插槽，支持 iDRAC Enterprise。
USB 密钥 (PowerEdge M915、 M910、M710HD、 M710、M610x、M610)	一个内部 USB 密钥连接器。

PCIe 扩充解决方案

PowerEdge M610x	支持两个单宽或者一个双宽全长标准 PCIe 卡。
-----------------	--------------------------

夹层卡

PowerEdge M915、M910	多达四个第二代 PCIe x8 接口的夹层卡插槽，可支持双端口千兆位以太网、10 Gb 以太网、FC8 光纤信道或 Infiniband 夹层卡。
PowerEdge M905、M805	多达四个第一代 PCIe x8 接口的夹层卡插槽，可支持双端口千兆位以太网、10 Gb 以太网、FC8 或 FC4 光纤信道或 4x DDR Infiniband 夹层卡。
PowerEdge M710HD	多达两个第二代 PCIe x8 接口的夹层卡插槽，可支持双端口和四端口千兆位以太网、10 Gb 以太网、FC8 或 FC4 光纤信道或 4x DDR Infiniband 夹层卡。
PowerEdge M710	多达四个第二代 PCIe 接口的夹层卡插槽（三个 x8 和一个 x4 信道宽度），可支持双端口千兆位以太网、10 Gb 以太网、FC8 或 FC4 光纤信道或 4x DDR Infiniband 夹层卡。
PowerEdge M610x、M610	多达两个第二代 PCIe x8 接口的夹层卡插槽，可支持双端口千兆位以太网、10 Gb 以太网、FC8 或 FC4（仅 M610）光纤信道或 4x DDR Infiniband 夹层卡。

夹层卡（续）

PowerEdge M605、M600	多达两个 PCIe x8 接口的夹层卡插槽，可支持双端口千兆位以太网、10 Gb 以太网、FC8 或 FC4 光纤信道或 4x DDR Infiniband 夹层卡。
---------------------	---

嵌入式以太网控制器

PowerEdge M915、M910、M905、M805、M710HD、M710	支持 TOE 和 iSCSI 引导的四个以太网端口，位于两个集成的双端口 Broadcom 5709S 以太网控制器上。
PowerEdge M610x、M610	支持 TOE 和 iSCSI 引导的两个以太网端口，位于一个集成的双端口 Broadcom 5709S 以太网控制器上。
PowerEdge M605、M600	支持 TOE 和 iSCSI 引导的两个以太网端口，位于两个集成的 Broadcom 5708S 控制器上。

视频控制器

PowerEdge M905、M805、M605、M600	ATI RN50 视频控制器。32 MB 视频内存
PowerEdge M915、M910、M710HD、M710、M610x、M610	Matrox G200 视频控制器。8 MB 视频内存

物理规格

PowerEdge M915

高度	38.5 厘米（15.2 英寸）
宽度	5 厘米（2 英寸）
厚度	48.6 厘米（19.2 英寸）
重量（最大配置）	12.7 千克（28 磅）

物理规格 (续)

PowerEdge M910

高度	38.5 厘米 (15.2 英寸)
宽度	5 厘米 (2 英寸)
厚度	48.6 厘米 (19.2 英寸)
重量 (最大配置)	13.1 千克 (29 磅)

PowerEdge M905、M805、 M710、M610x

高度	38.5 厘米 (15.2 英寸)
宽度	5 厘米 (2 英寸)
厚度	48.6 厘米 (19.2 英寸)
重量 (最大配置)	11.1 千克 (24.5 磅)

PowerEdge M710HD

高度	18.9 厘米 (7.4 英寸)
宽度	5 厘米 (2 英寸)
厚度	48.6 厘米 (19.2 英寸)
重量 (最大配置)	7.4 千克 (16.3 磅)

PowerEdge M605、M600

高度	18.9 厘米 (7.4 英寸)
宽度	5 厘米 (2 英寸)
厚度	48.6 厘米 (19.2 英寸)
重量 (最大配置)	5.2 - 6.4 千克 (11.5 - 14.0 磅)

电池

NVRAM 备用电池	CR 2032 3.0 V 币形锂电池
------------	---------------------

系统机壳规格

物理规格

高度	44.0 厘米 (17.3 英寸)
宽度	44.7 厘米 (17.6 英寸)
厚度	75.5 厘米 (29.7 英寸)
重量 (最大配置)	178.3 千克 (392.2 磅)
重量 (空置)	44.6 千克 (98.1 磅)

电源设备模块

交流 / 直流电源 (每个电源设备)

功率	2360 W 和 2700 W
连接器	IEC C20
散热	1205 BTU/ 小时 最大值
最大涌入 电流	在典型的线路条件下和整个系统环境运行范围内， 每个电源设备在 10 毫秒或更短时间内的涌入电流 可能达到 55 A。

系统电压要求 14.4 A, 200 - 240 VAC, 50/60 Hz

可选的 Avocent iKVM 模块

外部可抽换连接器

USB	支持键盘和鼠标的两个 4 针 USB 2.0 兼容连接器
ACI 端口	RJ-45
视频	15 针 VGA

机箱管理控制器模块

外部可抽换连接器

远程管理	两个专用 10/100/1000 Mb RJ-45（用于集成以太网远程访问控制器）。千兆位端口连接至外部管理网络。STK 端口允许与相邻机壳中的 CMC 进行菊花链形式的连接。
串行	9 针、DTE、16550 兼容
视频	15 针 VGA

电池	CR 2032 3.0 V 币形锂电池
----	---------------------

机壳控制面板

外部可抽换连接器

USB	支持键盘和鼠标的两个 4 针 USB 2.0 兼容连接器
视频	15 针 VGA

LCD 面板

功能	四个光标控制键、一个选择键和一个 LCD 屏幕
----	-------------------------

环境参数

注：有关特定系统配置的环境测量值的其它信息，请参阅 dell.com/environmental_datasheets。此系统不适用于办公环境中使用。

温度

运行时	10° C 至 35° C (50° F 至 95° F) 注： 在 900 米 (2955 英尺) 以上，每升高 300 米 (985 英尺) 最高温度下降 1° C (1.8° F)。
-----	--

存储时	- 40° C 至 65° C (- 40° F 至 149° F)
-----	------------------------------------

相对湿度

运行时	20% 至 80% (非冷凝)，最大湿球温度 29° C (84.2° F)
-----	--

存储时	5% 至 95% (非冷凝)，最大湿球温度 38° C (100.4° F)
-----	--

环境参数 (续)

最大振动

运行时	在 10 Hz - 350 Hz、0.26 Grms 时，可持续 15 分钟
存储时	在 10 Hz - 250 Hz、1.54 Grms 时，可持续 15 分钟

最大撞击

运行时	z 轴正方向上可承受一个 41 G 的撞击脉冲（系统每一面承受一个脉冲），最长可持续 2 毫秒
存储时	x、y 和 z 轴正负方向上可承受连续六个 71 G 的撞击脉冲（系统每一面承受一个脉冲），最长可持续 2 毫秒

海拔高度

运行时	- 15.2 米至 3,048 米（- 50 英尺至 10,000 英尺）
存储时	- 15.2 至 10,600 米（- 50 英尺至 35,000 英尺）

气载污染物级别

级别	G1（依据 ISA-S71.04-1985 定义的标准）
----	------------------------------

I/O 模块规格

有关机壳中所支持的 I/O 模块和直通模块的信息，请参阅 support.dell.com/manuals 上的《Dell PowerEdge M1000e 系统配置指南》。

Dell PowerEdge
M1000e, M915, M910, M905,
M805, M710HD, M710, M610x,
M610, M605, dan M600

Memulai Dengan Sistem Anda



Catatan, Perhatian, dan Peringatan



CATATAN: CATATAN menunjukkan informasi penting yang membantu Anda untuk menggunakan komputer dengan lebih baik.



PERHATIAN: PERHATIAN menunjukkan kerusakan potensial pada perangkat keras atau kehilangan data jika Anda tidak mengikuti instruksi yang diberikan.



PERINGATAN: PERINGATAN menunjukkan potensi terjadinya kerusakan properti, cedera pada seseorang, atau kematian.

Informasi dalam publikasi ini dapat berubah tanpa pemberitahuan.

© 2010 Dell Inc. Hak cipta dilindungi undang-undang.

Dilarang keras memperbanyak materi ini dengan cara apa pun tanpa izin tertulis dari Dell Inc.

Merek dagang yang digunakan di dalam teks ini: Dell™, logo DELL logo, dan PowerEdge™ adalah merek dagang Dell Inc. Citrix™ dan XenServer® adalah merek dagang terdaftar atau merek dagang dari Citrix Systems, Inc. dan/atau dari salah satu atau lebih anak perusahaannya, dan kemungkinan terdaftar di kantor Paten dan Merek Dagang Amerika Serikat dan di negara lainnya. Intel® adalah merek dagang terdaftar dari Intel Corporation di A.S. dan negara lain. Microsoft®, Windows®, dan Windows Server® adalah merek dagang atau merek dagang terdaftar dari Microsoft Corporation di Amerika Serikat dan/atau negara lainnya. Red Hat® dan Red Hat Enterprise Linux® adalah merek dagang terdaftar dari Red Hat Inc. di Amerika Serikat dan negara lainnya. SUSE® adalah merek dagang terdaftar dari Novell, Inc. di Amerika Serikat dan negara lainnya. VMware® adalah merek dagang terdaftar dari VMware, Inc. di Amerika Serikat dan/atau wilayah hukum lainnya. Solaris™ adalah merek dagang dari Sun Microsystems, Inc. di Amerika Serikat dan negara lainnya.

Merek dagang dan nama dagang lain mungkin digunakan dalam dokumen ini untuk merujuk ke pihak lain yang memiliki hak kekayaan intelektual atas merek dan nama atau produk mereka. Dell Inc. menyangkal kepentingan kepemilikan apa pun atas merek dagang dan nama dagang selain miliknya sendiri.

Model BMX01, Seri HHB, Seri FHB

Desember 2010 No. Komp. PPTRT Rev. A00

Instalasi dan Konfigurasi

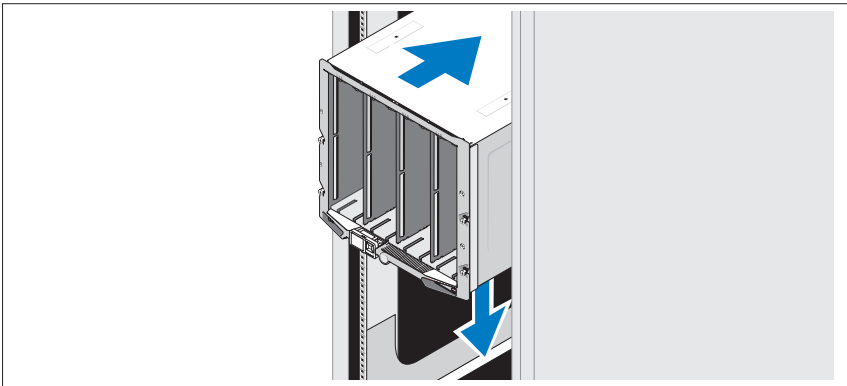
⚠ PERINGATAN: Sebelum melakukan prosedur berikut, bacalah petunjuk keselamatan yang disertakan dengan sistem.

Bagian ini menguraikan langkah-langkah yang diperlukan untuk mengatur sistem Anda untuk pertama kali.

Membuka Kemasan Sistem

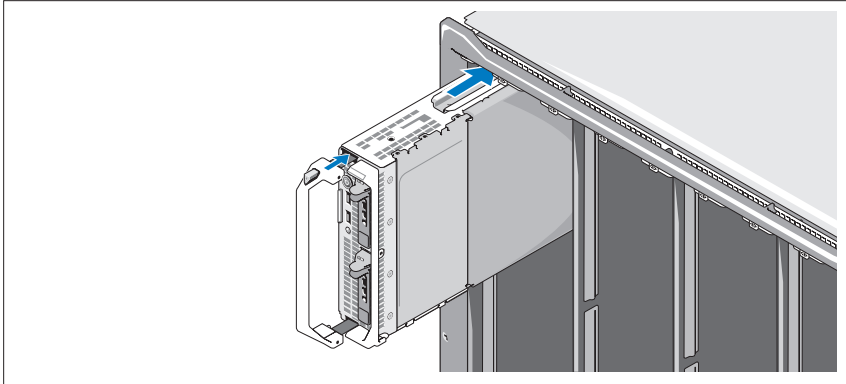
Buka kemasan sistem Anda dan kenali setiap komponen.

Memasang Rel dan Sistem dalam Rak



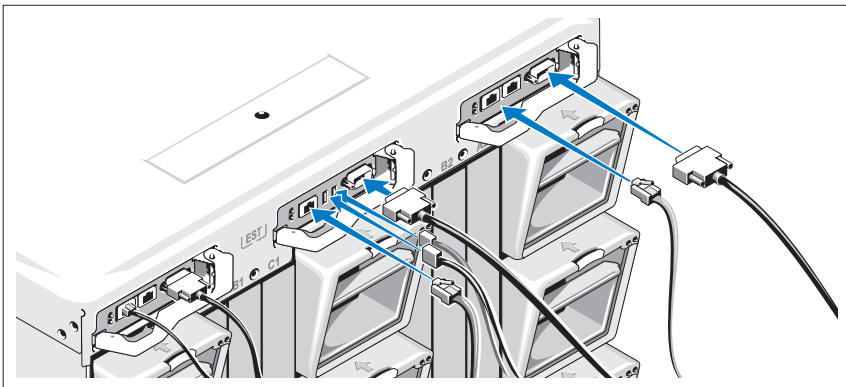
Rakit rel dan pasang sistem dalam rak dengan mengikuti petunjuk keselamatan dan petunjuk pemasangan rak yang diberikan bersama enklosur Anda.

Memasang Blade



Dimulai dari atas, geser modul ke enklosur dari kiri ke kanan. Ketika blade telah terpasang dengan aman, tangkai kembali ke posisi tertutup.

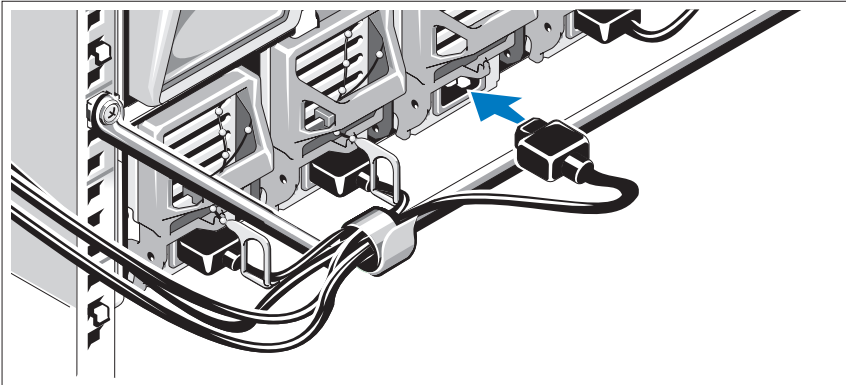
Menghubungkan Modul CMC dan KVM



Hubungkan kabel serial dan kabel jaringan dari sistem manajemen ke modul CMC. Jika modul CMC opsional kedua dipasang, hubungkan juga modul tersebut.

Hubungkan keyboard, mouse, dan monitor ke modul iKVM.

Menghubungkan Sistem ke Daya



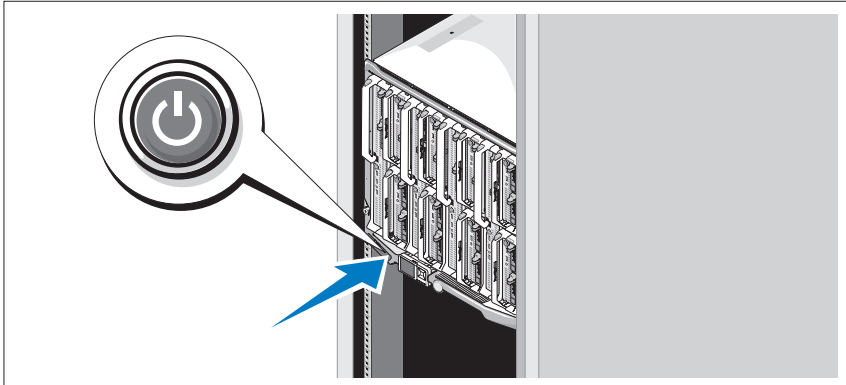
Menghubungkan kabel daya sistem ke pencatu daya sistem.

△ **PERHATIAN:** Untuk mencegah kabel daya terputus secara tidak sengaja, gunakan klip plastik pada setiap pencatu daya untuk mengunci kabel daya ke sumber tenaga listrik, dan gunakan Velcro strap untuk mengunci kabel ke batang pelepas tegangan (strain-relief bar).

Tancapkan ujung lainnya dari kabel daya tersebut ke unit distribusi daya (PDU).

△ **PERHATIAN:** Jangan menancapkan kabel daya langsung ke stop kontak; Anda harus menggunakan PDU. Agar sistem berfungsi secara optimal, diperlukan minimal tiga pencatu daya.

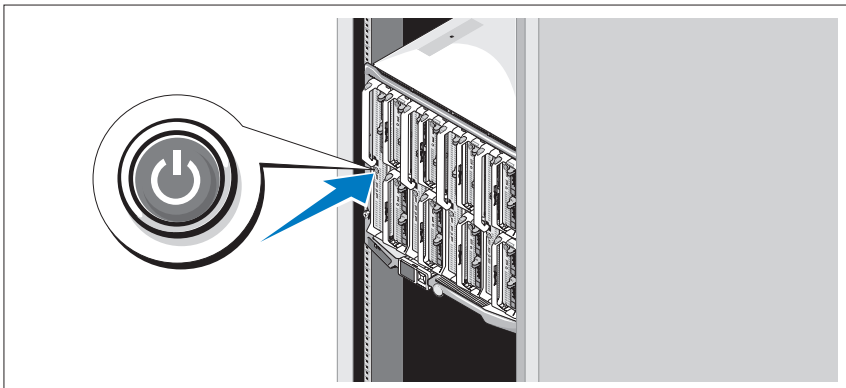
Menyalakan Sistem



Tekan tombol daya pada enklosur. Indikator daya seharusnya menyala.

CATATAN: Setelah Anda menghubungkan sistem ke pencatu daya, mungkin ada waktu tunda minimal sebelum Anda dapat menyalakan sistem.

Menyalakan Blade



Tekan tombol daya pada setiap blade, atau adya pada blade dengan menggunakan perangkat lunak manajemen sistem.

Menyelesaikan Pengaturan Sistem Operasi

Jika Anda membeli sistem operasi yang telah terinstal, lihat dokumentasi sistem operasi yang dikirimkan dengan sistem Anda. Untuk menginstal sistem operasi untuk pertama kalinya, lihat dokumentasi instalasi dan konfigurasi untuk sistem operasi Anda. Pastikan bahwa sistem operasi telah terinstal sebelum Anda menginstal perangkat keras atau perangkat lunak yang tidak dibeli bersama sistem.

Sistem Operasi yang Didukung

Sistem Operasi	M915	M910	M905	M805	M710	M710HD	M610	M610x	M605
Citrix XenServer 5.5			✓	✓	✓		✓		✓
Citrix XenServer 5.6	✓	✓	✓	✓	✓	✓	✓	✓	✓
Microsoft Windows Server 2008 Hyper-V Server	✓	✓				✓			
Microsoft Windows Essential Business Server 2008 Edisi Standard dan Edisi Premium		✓				✓		✓	
Microsoft Windows HPC Server 2008 (x64)	✓	✓						✓	
Microsoft Windows Server 2008 Edisi Standard dan Enterprise (x86)		✓			✓	✓	✓	✓	
Microsoft Windows Web Server 2008 Edisi (x86)		✓			✓	✓	✓		
Microsoft Windows Web Server 2008 Edisi (x86) dengan SP2		✓							

Sistem Operasi	M915	M910	M905	M805	M710	M710HD	M610	M610x	M605
Microsoft Windows Server 2008 Edisi Standard dan Enterprise (x86) dengan SP2		✓				✓		✓	
Microsoft Windows Server 2008 Edisi Standard, Enterprise, dan Datacenter (x64)		✓	✓	✓	✓		✓	✓	
Microsoft Windows Web Server 2008 Edisi (x64)		✓			✓		✓	✓	
Microsoft Windows Web Server 2008 Edisi (x64) dengan SP2	✓	✓				✓		✓	
Microsoft Windows Server 2008 R2 Edisi Standard, Enterprise, dan Datacenter (x64)	✓	✓				✓		✓	
Microsoft Windows Server 2003 Edisi Standard dan Enterprise									✓
Microsoft Windows Server 2003 Edisi Web		✓						✓	✓
Microsoft Windows Server 2003 Edisi Standard, Enterprise, dan Web dengan SP1 dan yang lebih tinggi									✓
Microsoft Windows Server 2003 R2 Edisi Standard dan Enterprise (x86)		✓	✓	✓	✓		✓	✓	✓

Sistem Operasi	M915	M910	M905	M805	M710	M710HD	M610	M610x	M605
Microsoft Windows Server 2003 Edisi Standard dan Enterprise (x64)									✓
Microsoft Windows Server 2003 R2 Edisi Standard dan Enterprise (x64)			✓	✓	✓		✓	✓	✓
Microsoft Windows Server 2003 R2 Edisi Datacenter (x64)					✓		✓	✓	
Microsoft Windows Server 2003 R2 Edisi Standard, Enterprise, dan Datacenter (x64) dengan SP2		✓							
Red Hat Enterprise Linux AS, ES, dan WS (versi 4.0) Update 5 (x86)			✓	✓					✓
Red Hat Enterprise Linux AS, ES, dan WS (versi 4.0) Update 5 (x86_64)			✓	✓					✓
Red Hat Enterprise Linux AS dan ES (versi 4.7) (x86)					✓		✓		
Red Hat Enterprise Linux AS dan ES (versi 4.7) (x86_64)					✓		✓		
Red Hat Enterprise Linux AS dan ES (versi 4.8) (x86)						✓		✓	
Red Hat Enterprise Linux AS dan ES (versi 4.8) (x86_64)						✓		✓	
Red Hat Enterprise Linux (versi 5.0) (x86)			✓	✓		✓			✓

Sistem Operasi	M915	M910	M905	M805	M710	M710HD	M610	M610x	M605
Red Hat Enterprise Linux (versi 5.0) (x86_64)			✓	✓	✓	✓			✓
Red Hat Enterprise Linux (versi 5.2) (x86)					✓				
Red Hat Enterprise Linux (versi 5.5) (x86)	✓					✓		✓	
Red Hat Enterprise Linux (versi 5.5) (x86_64)	✓					✓		✓	
Red Hat Enterprise Linux (versi 6.0) (x86_64)	✓								
SUSE Linux Enterprise Server 10 (x86_64)			✓	✓	✓				✓
SUSE Linux Enterprise Server 10 (x86_64) SP3	✓	✓				✓		✓	
SUSE Linux Enterprise Server 11 (x86_64)	✓	✓				✓		✓	
Solaris 10 (x86_64)		✓	✓	✓	✓	✓	✓		✓
VMware ESX versi 3.0			✓	✓	✓		✓		
VMware ESX versi 3.0.2 Update 1									✓
VMware ESX versi 3.5			✓	✓	✓		✓		

Sistem Operasi	M915	M910	M905	M805	M710	M710HD	M610	M610x	M605
VMware ESX versi 4.0 Update 1		✓				✓		✓	
VMware ESXi versi 4.0 Update 1		✓				✓		✓	
VMware ESX versi 4.0 Update 2	✓								
VMware ESXi versi 4.0 Update 2	✓								
VMware ESX versi 4.1 Update 1	✓								
VMware ESXi versi 4.1 Update 1	✓								

✓—Didukung



CATATAN: Untuk informasi terakhir mengenai sistem operasi yang didukung untuk semua sistem PowerEdge, lihat dell.com/ossupport.

Informasi Lain yang Mungkin Anda Perlukan



PERINGATAN: Sebelum melakukan prosedur berikut, bacalah petunjuk keselamatan yang disertakan dengan sistem.

- *Panduan Konfigurasi* memberikan informasi mengenai pengkonfigurasiannya enklosur sistem dan blade.
- *Petunjuk Pemasangan Rak* yang disertakan bersama solusi rak Anda menjelaskan cara menginstal sistem Anda pada rak.
- *Manual Perangkat Keras untuk Pemilik* menyediakan informasi mengenai fitur sistem dan menjelaskan bagaimana cara penelusuran kesalahan sistem dan pemasangan atau penggantian komponen.
- Dokumentasi aplikasi manajemen sistem Dell memberikan informasi mengenai instalasi dan penggunaan perangkat lunak manajemen sistem.



CATATAN: Selalu periksa update di situs support.dell.com/manuals dan baca update terlebih dahulu karena biasanya update tersebut menggantikan informasi dalam dokumen.

Mendapatkan Bantuan Teknis

Jika Anda tidak memahami prosedur dalam panduan ini atau jika sistem tidak beroperasi sesuai yang diharapkan, lihat *Manual Perangkat Keras untuk Pemilik*. Dell menyediakan pelatihan dan sertifikasi perangkat keras secara menyeluruh. Lihat dell.com/training untuk informasi lebih lanjut. Layanan ini mungkin tidak tersedia di semua lokasi.

Spesifikasi Teknis

Spesifikasi Blade

Prosesor

Tipe prosesor

PowerEdge M915	Dua atau empat prosesor AMD Opteron 6000 (prosesor delapan- atau dua belas-core)
PowerEdge M910	Dua atau empat prosesor Intel Xeon 7000 (hingga delapan-core)
PowerEdge M905	Empat prosesor AMD Opteron 8000 dual-core atau quad-core
PowerEdge M805	Dua prosesor AMD Opteron 2000 dual-core atau quad-core
PowerEdge M710HD, M710, M610x, M610	Satu atau dua prosesor Intel Xeon 5000 dual-, quad-, atau enam-core
PowerEdge M605	Satu atau dua prosesor AMD Opteron 2000 dual-core atau quad-core
PowerEdge M600	Satu atau dua prosesor Intel Xeon dual- atau quad-core

Memori

Arsitektur

PowerEdge M915	1333 MHz DDR3 single-, dual-, or quad-ranked registered LV DIMMs (RDIMMs)
PowerEdge M910	modul memori DDR3, dirancang untuk operasi 1066 MHz

Memori (*bersambung*)

PowerEdge M905, M805, M605	modul memori DDR2, dirancang untuk operasi 677 MHz
PowerEdge M710HD	modul memori DDR3 dan DDR3L single-, dual-, dan quad-rank, yang dirancang untuk 1066 dan 1333 MHz
PowerEdge M710, M610x, M610,	800, 1066, or 1333 MHz DDR3 single- or dual-ranked registered DIMMs (RDIMMs) or unbuffered DIMMs (UDIMMs) atau 800 or 1066 MHz DDR3 quad-ranked registered DIMMs (RDIMMs) or unbuffered DIMMs (UDIMMs)
PowerEdge M600	modul memori FBD, yang dirancang untuk operasi 677 MHz

Soket modul memori

PowerEdge M915, M910	32 soket 240-bien
PowerEdge M905	24 soket 240-pin
PowerEdge M805	16 soket 240-pin
PowerEdge M710HD, M710	18 soket 240-pin
PowerEdge M610x, M610	12 soket 240-pin
PowerEdge M605, M600	Delapan soket 240-pin

Kapasitas modul memori

PowerEdge M915	LV DIMM 1 GB, 2 GB, 4 GB, 8 GB, dan 16 GB
PowerEdge M910	RDIMM 1 GB, 2 GB, 4 GB, 8 GB, dan 16 GB
PowerEdge M905, M805,	1 GB, 2 GB, 4 GB, dan 8 GB
PowerEdge M710HD	1 GB, 2 GB, 4 GB, 8 GB, dan 16 GB RDIMM dan LV DIMM
PowerEdge M710, M610x, M610	2 GB, 4 GB, 8 GB, dan 16 GB RDIMM dan LV DIMM; UDIMM 1 GB dan 2 GB
PowerEdge M605, M600	1 GB, 2 GB, 4 GB, dan 8 GB

Memori (*bersambung*)

RAM minimum

PowerEdge M915	8 GB
PowerEdge M910	4 GB
PowerEdge M905	8 GB (Delapan modul memori 1 GB)
PowerEdge M805	4 GB (Empat modul memori 1 GB)
PowerEdge M710D	4 GB
PowerEdge M710, M610x, M610	Satu modul memori 1 GB (sistem satu-prosesor) atau dua modul memori 1 GB (sistem dua-prosesor)
PowerEdge M605, M600	1 GB (dua modul memori 512 MB)

RAM maksimum

PowerEdge M915	512 GB
PowerEdge M910	512 GB
PowerEdge M905	192 GB
PowerEdge M805	128 GB
PowerEdge M710HD	288 GB
PowerEdge M710	288 GB (Delapan belas RDIMM 16 GB); 36 GB (Delapan belas UDIMM 2 GB)
PowerEdge M610x, M610	192 GB (Dua belas RDIMM 16 GB); 24 GB (Dua belas UDIMM 2 GB)
PowerEdge M605, M600	64 GB

Drive

Hard Drive

PowerEdge M915, M910	Dukungan hingga dua 2.5-inch SAS hard drives melalui kartu penyimpanan RAID nilai atau RAID kinerja . <i>atau</i> Dukungan hingga dua 2.5-inch SSD hard drive melalui kartu penyimpanan RAID nilai atau RAID kinerja .
PowerEdge M905, M805	Dukungan hingga dua 2.5-inch SAS hard drives melalui kartu penyimpanan RAID nilai atau RAID kinerja .
PowerEdge M710HD	Dukungan hingga dua 2.5-inch SAS hard drive melalui pengontrol penyimpanan PERC H200. <i>atau</i> Dukungan hingga dua 2.5-inch SSD hard drive melalui pengontrol penyimpanan PERC H200.
PowerEdge M710	Dukungan hingga dua 2.5-inch SAS hard drive melalui kartu penyimpanan RAID nilai atau RAID kinerja .
PowerEdge M600, M610x, M610	Dukungan satu 2.5-inch SAS hard drive melalui kartu penyimpanan non-RAID, RAID nilai, atau RAID kinerja . <i>atau</i> Dukungan hingga dua 2.5-inch SATA hard drive melalui kartu penyimpanan RAID nilai atau RAID kinerja . <i>atau</i> Dukungan satu solid-state disk (SSD) hard drive melalui kartu penyimpanan non-RAID. <i>atau</i> Dukungan hingga dua 2.5-inch SAS hard drive melalui kartu penyimpanan RAID nilai atau RAID kinerja .

Drive (bersambung)

PowerEdge M605

Dukungan hingga dua 2.5-inch SATA hard drive melalui kartu penyimpanan RAID nilai atau RAID kinerja .

atau

Dukungan hingga dua solid-state disk (SSD) hard drive melalui kartu penyimpanan non-RAID.

atau

Dukungan hingga dua 2.5-inch SAS hard drive melalui kartu penyimpanan RAID nilai atau RAID kinerja .

CATATAN: Untuk semua sistem modular, hard drive SAS dan SATA tidak dapat digabung dalam satu blade.

CATATAN: Operasi hot-plug didukung jika dipasang kartu pengontrol RAID opsional .

Konektor

Eksternal

USB

PowerEdge M915, M910, M905, M805, M710, Tiga konektor 4-pin, yang memenuhi standar USB 2.0

PowerEdge M710HD, M610x, M610, M605, M600, Dua konektor 4-pin, yang memenuhi standar USB 2.0

Internal

Modul Secure Digital (SD) Internal (PowerEdge M915, M910, M905, M805, M710HD, M710, M610x, M610) Satu slot kartu memori flash opsional dengan modul SD internal.

Modul Secure Digital (SD) vFlash Internal (PowerEdge M915, M910, M710HD, M710, M610x, M610) Satu slot kartu memori vFlash opsional untuk digunakan dengan dukungan iDRAC Enterprise.

Kunci USB (PowerEdge M915, M910, M710HD, M710, M610x, M610) Satu konektor kunci USB internal.

Solusi Ekspansi PCIe

PowerEdge M610x Mendukung dua single-wide atau satu double-wide full length standard PCIe card.

Kartu Mezzanine

PowerEdge M915, M910 Hingga empat slot kartu mezzanine PCIe Gen 2 x8, yang mendukung dual-port Gb Ethernet, 10 Gb Ethernet, Kanal Fiber FC8, atau kartu mezzanine Infiniband.

PowerEdge M905, M805 Hingga empat slot kartu mezzanine PCIe Gen 1 x8, yang mendukung dual-port Gb Ethernet, 10 Gb Ethernet, Kanal Fiber FC8 atau FC4, atau kartu mezzanine 4x DDR Infiniband.

PowerEdge M710HD Hingga dua slot kartu mezzanine PCIe Gen 2 x8, yang mendukung dual-port Gb Ethernet, 10 Gb Ethernet, Kanal Fiber FC8 atau FC4, atau kartu mezzanine 4x DDR Infiniband.

PowerEdge M710 Hingga empat slot kartu mezzanine PCIe Gen 2 (tiga x8 dan satu x4 lane width), mendukung dual-port dan quad-port Gb Ethernet, 10 Gb Ethernet, Kanal Fiber FC8 atau FC4, atau kartu mezzanine 4x DDR Infiniband.

PowerEdge M610x, M610 Hingga dua slot kartu mezzanine PCIe Gen 2 x8, yang mendukung dual-port Gb Ethernet, 10 Gb Ethernet, Kanal Fiber FC8 atau FC4 (M610 saja), atau kartu mezzanine 4x DDR Infiniband.

PowerEdge M605, M600 Hingga dua slot kartu mezzanine PCIe Gen 1 x8, yang mendukung dual-port Gb Ethernet, 10 Gb Ethernet, Kanal Fiber FC8 atau FC4, atau kartu mezzanine 4x DDR Infiniband.

Pengontrol Ethernet Yang Tertanam

PowerEdge M915, M910, M905, M805, M710HD, M710	Empat lubang Ethernet dengan dukungan TOE dan iSCSI boot, yang disediakan oleh dua pengontrol dual-port Broadcom 5709S Ethernet yang terintegrasi.
PowerEdge M610x, M610	Dua lubang Ethernet dengan dukungan TOE dan iSCSI boot, yang disediakan oleh satu pengontrol dual-port Broadcom 5709S Ethernet yang terintegrasi.
PowerEdge M605, M600	Dua lubang Ethernet dengan dukungan TOE dan iSCSI boot, yang disediakan oleh dua pengontrol Broadcom 5708S yang terintegrasi.

Pengontrol Video

PowerEdge M905, M805, M605, M600	Pengontrol video ATI RN50. Memori video 32 MB
PowerEdge M915, M910, M710HD, M710, M610x, M610	Pengontrol video Matrox G200. Memori video 8 MB

Fisik

PowerEdge M915

Tinggi	38,5 cm (15,2 in)
Lebar	5 cm (2 in)
Panjang	48,6 cm (19,2 in)
Berat (konfigurasi maksimum)	12,7 kg (28 lb)

Fisik (*bersambung*)

PowerEdge M910

Tinggi	38,5 cm (15,2 in)
Lebar	5 cm (2 in)
Panjang	48,6 cm (19,2 in)
Berat (konfigurasi maksimum)	13,1 kg (29 lb)

PowerEdge M905, M805, M710, M610x

Tinggi	38,5 cm (15,2 in)
Lebar	5 cm (2 in)
Panjang	48,6 cm (19,2 in)
Berat (konfigurasi maksimum)	11,1 kg (24,5 lb)

PowerEdge M710HD

Tinggi	18,9 cm (7,4 in)
Lebar	5 cm (2 in)
Panjang	48,6 cm (19,2 in)
Berat (konfigurasi maksimum)	7,4 kg (16,3 lb)

PowerEdge M605, M600

Tinggi	18,9 cm (7,4 in)
Lebar	5 cm (2 in)
Panjang	48,6 cm (19,2 in)
Berat (konfigurasi maksimum)	5,2–6,4 kg (11,5–14,0 pon)

Baterai

Baterai NVRAM backup	Sel koin lithium CR 2032 3,0 V
----------------------	--------------------------------

Spesifikasi Enklosur Sistem

Fisik

Tinggi	44,0 cm (17,3 in)
Lebar	44,7 cm (17,6 in)
Panjang	75,5 cm (29,7 in)
Berat (konfigurasi maksimum)	178,3 kg (392,2 pon)
Berat (kosong)	44,6 kg (98,1 pon)

Modul Pencatu Daya

Pencatu daya AC/DC (per pencatu daya)

Watt Daya	2360 W dan 2700 W
Konektor	IEC C20
Pelepasan panas	1205 BTU/jam maksimal
Lonjakan arus arus	Pada kondisi saluran yang khas dan di seluruh kisaran suhu kerja sekitar dari sistem, lonjakan arus dapat mencapai 55 A per pencatu daya selama 10 mdet atau kurang

Persyaratan Tegangan Sistem 14,4 A, 200–240 VAC, 50/60 Hz

Modul Avocent iKVM Opsional

Konektor yang dapat diakses secara eksternal

USB	Dua konektor 4-pin, yang memenuhi standar USB 2.0 untuk keyboard dan mouse support
Lubang ACI	RJ-45
Video	VGA 15 pin

Modul Pengontrol Manajemen Casis

Konektor yang dapat diakses secara eksternal

Manajemen jarak jauh	Dua 10/100/1000 Mb RJ-45 (untuk pengontrol akses jarak jauh Ethernet terintegrasi). Lubang Gb berhubungan dengan jaringan manajemen eksternal. Lubang STK memungkinkan CMC-CMC pada enklosur-enklosur terdekat untuk diinterkoneksi secara serial.
Serial	9 pin, DTE, kompatibel dengan 16550
Video	VGA 15 pin
Baterai	Sel koin lithium ion CR 2032 3,0-V

Panel Kontrol Enklosur

Konektor yang dapat diakses secara eksternal

USB	Dua konektor 4-pin, yang memenuhi standar USB 2.0 untuk keyboard dan mouse support
Video	VGA 15 pin
Panel LCD	
Fitur	Empat kunci kontrol kursor, satu kunci pilih, dan sebuah layar LCD

Lingkungan

CATATAN: Untuk informasi tambahan mengenai pengukuran lingkungan untuk konfigurasi sistem spesifik, lihat dell.com/environmental_datasheets. Sistem tidak untuk digunakan di lingkungan kantor.

Suhu

Pengoperasian	10 °C hingga 35 °C (50 °F hingga 95 °F) CATATAN: Turunkan suhu maksimum sebesar 1 °C (1.8 °F) per 300 m (985 kaki) di atas 900 m (2955 kaki).
Penyimpanan	-40 °C hingga 65 °C (-40 °F hingga 149 °F)

Lingkungan (*bersambung*)

Kelembapan relatif

Pengoperasian	20% hingga 80% (non-kondensasi) pada suhu basah maksimum 29 °C (84,2 °F)
Penyimpanan	5% hingga 95% (non-kondensasi) pada suhu basah maksimum 38 °C (100,4 °F)

Geteran maksimum

Pengoperasian	0.26 Grms pada 10 Hz–350 Hz selama 15 men
Penyimpanan	1,54 Grms pada 10-250 Hz selama 15 men

Guncangan maksimum

Pengoperasian	Satu pulsasi guncangan pada sumbu z positif (satu pulsasi di setiap sisi sistem) sebesar 41 G dalam tempo hingga 2 mdet
Penyimpanan	Enam pulsasi guncangan yang dilakukan berurutan pada sumbu x, y, dan z positif dan negatif (satu pulsasi di setiap sisi sistem) sebesar 71 G dalam tempo hingga 2 mdet

Ketinggian

Pengoperasian	–15,2 m hingga 3.048 m (–50 kaki hingga 10.000 kaki)
Penyimpanan	–15,2 m hingga 10.668 m (–50 kaki hingga 35.000 kaki)

Tingkat Pencemaran Udara

Kelas	G1 sebagaimana didefinisikan oleh ISA-S71.04-1985
-------	---

Spesifikasi Modul I/O

Untuk informasi mengenai modul I/O dan modul pass-through yang didukung pada enklosur Anda, lihat Panduan Konfigurasi Sistem *Dell PowerEdge M1000e* di support.dell.com/manuals.

Dell PowerEdge
M1000e、 M915、 M910、
M905、 M805、 M710HD、
M710、 M610x、 M610、
M605、 M600
はじめに



メモ、注意、警告



メモ：コンピュータを使いやすいするための重要な情報を説明しています。



注意：手順に従わないと、ハードウェアの損傷やデータの損失につながる可能性があることを示しています。



警告：物的損害、けが、または死亡の原因となる可能性があることを示しています。

**本書の内容は予告なく変更されることがあります。
© 2010 すべての著作権は Dell Inc. にあります。**

Dell Inc. の書面による許可のない複製は、いかなる形態においても厳重に禁じられています。

本書に使用されている商標：Dell™、DELL ログ、および PowerEdge™ は Dell Inc. の商標です。Citrix™ および XenServer® は Citrix Systems, Inc. および / またはその関連子会社の登録商標または商標であり、米国特許商標局および他の国で登録されている場合があります。Intel® は米国その他の国における Intel Corporation の登録商標です。Microsoft®、Windows®、Windows Server® および Windows Server は米国その他の国における Microsoft Corporation の商標または登録商標です。Red Hat® および Red Hat Enterprise Linux® は米国およびその他の国における Red Hat, Inc. の登録商標です。SUSE® は米国およびその他の国における Novell, Inc. の登録商標です。VMware® は米国およびその他の法域における VMware, Inc. の登録商標または商標（標章）です。Solaris™ は米国およびその他の国における Sun Microsystems, Inc. の商標です。

商標または製品の権利を主張する事業体を表すためにその他の商標および社名が使用されていることがあります。それらの商標や会社名は、一切 Dell Inc. に帰属するものではありません。

モデル BMX01、HHB シリーズ、FHB シリーズ

2010 年 12 月 P/N PPTRT Rev. A00

取り付けと設定

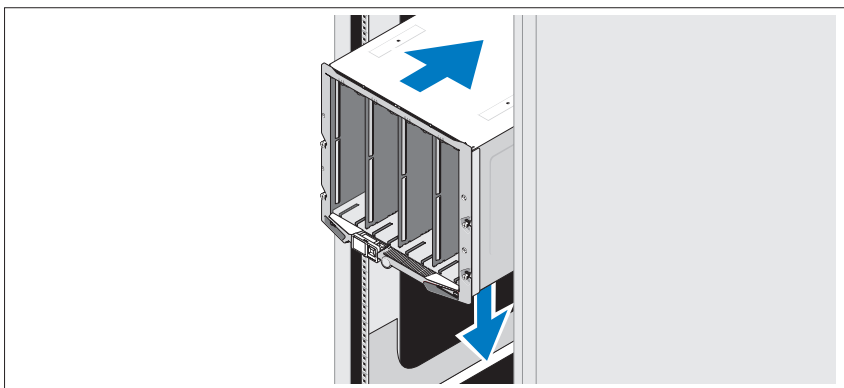
⚠ 警告： 次の手順を実行する前に、システムに付属しているマニュアルの「安全にお使いいただくために」をお読みください。

本項では、システムを初めてセットアップする際に必要な手順について説明します。

システムの開梱

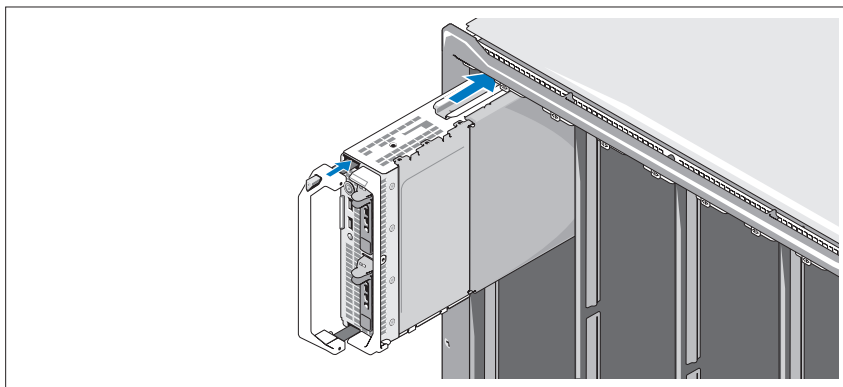
システムを箱から取り出し、同梱品がすべて揃っていることを確認します。

ラックへのレールとシステムの取り付け



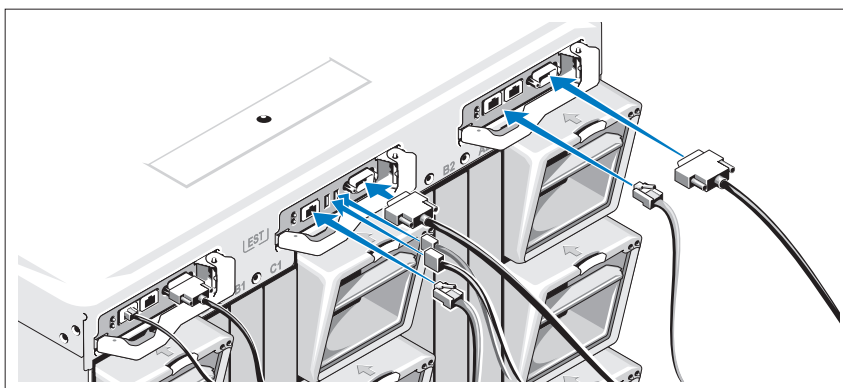
レールの組み立てとラックへのシステムの取り付けの際は、エンクロージャに付属しているマニュアルの安全にお使いいただくための注意事項およびラックへの取り付け手順に従ってください。

ブレードの取り付け



最上部から始めて、左から右の順にモジュールをエンクロージャに挿入して取り付けていきます。ブレードが固定されたら、ハンドルが閉じ位置に戻ります。

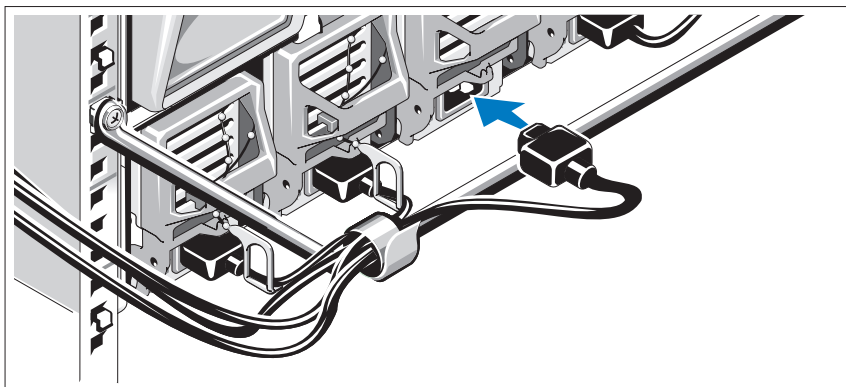
CMC モジュールと KVM モジュールの接続



管理システムと CMC モジュールをシリアルケーブルとネットワークケーブルでつなぎます。2 台目のオプションの CMC モジュールを取り付けた場合は、同様にケーブルを接続します。

キーボード、マウス、モニターをオプションの iKVM モジュールに接続します。

システムの電源への接続



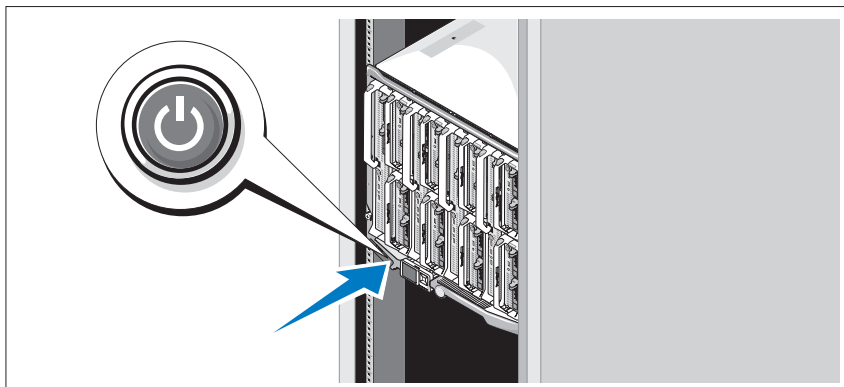
システムの電源ユニットに電源コードを接続します。

- △ **注意：**電源ケーブルが誤って外れてしまうことがないように、各電源ユニットのプラスチック製のクリップを使用して電源ケーブルを電源ユニットに固定し、ベルクロストラップを使用してケーブルをストレインリリーフバーに固定します。

電源ケーブルのもう一方の端を配電ユニット（PDU）に接続します。

- △ **注意：**電源ケーブルをコンセントに直接差し込まず、必ず PDU を使用してください。システムの機能を最適に保つには、少なくとも 3 台の電源ユニットが必要です。

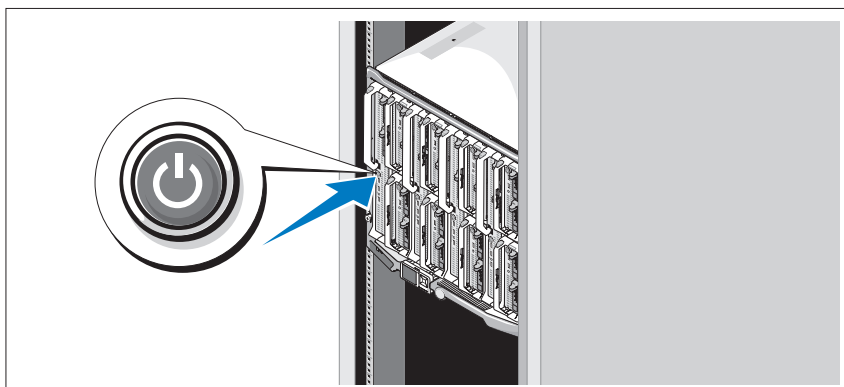
システムの電源投入



エンクロージャの電源ボタンを押します。電源インジケータが点灯します。

メモ：システムを電源に接続したら、システムの電源を入れることができる状態になるまで、わずかに待機する必要があります。

ブレードの電源投入



各ブレードの電源ボタンを押すか、またはシステム管理ソフトウェアを使用してブレードの電源を入れます。

OS のセットアップの完了

システムに OS がプリインストールされている場合は、システムと同梱の OS のマニュアルを参照してください。OS を初めてインストールする場合は、お使いの OS のインストールと設定に関するマニュアルを参照してください。システムとは別途に購入したハードウェアやソフトウェアのインストールは、OS がインストール済みであることを確認してから行ってください。

対応 OS

OS	M915	M910	M905	M805	M710	M710HD	M610	M610x	M605
Citrix XenServer 5.5			✓	✓	✓		✓		✓
Citrix XenServer 5.6	✓	✓	✓	✓	✓	✓	✓	✓	✓
Microsoft Windows Server 2008 Hyper-V Server	✓	✓				✓			
Microsoft Windows Essential Business Server 2008 Standard/Premium Edition		✓				✓		✓	
Microsoft Windows HPC Server 2008 (x64)	✓	✓						✓	
Microsoft Windows Server 2008 Standard/Enterprise (x86) Edition		✓			✓	✓	✓	✓	
Microsoft Windows Web Server 2008 (x86) Edition		✓			✓	✓	✓		
Microsoft Windows Web Server 2008 (x86) Edition With SP2		✓							

OS	M915	M910	M905	M805	M710	M710HD	M610	M610x	M605
Microsoft Windows Server 2008 Standard/Enterprise (x86) Edition With SP2		✓				✓		✓	
Microsoft Windows Server 2008 Standard/Enterprise /Datacenter (x64) Edition		✓	✓	✓	✓		✓	✓	
Microsoft Windows Web Server 2008 (x64) Edition		✓			✓		✓	✓	
Microsoft Windows Web Server 2008 (x64) Edition With SP2	✓	✓				✓		✓	
Microsoft Windows Server 2008 R2 Standard/Enterprise /Datacenter (x64) Edition	✓	✓				✓		✓	
Microsoft Windows Server 2003 Standard Edition/Enterprise Edition									✓
Microsoft Windows Server 2003 Web Edition		✓						✓	✓
Microsoft Windows Server 2003 Standard/Enterprise /Web Edition (SP1 以降)									✓
Microsoft Windows Server 2003 R2 Standard/Enterprise (x86) Edition		✓	✓	✓	✓		✓	✓	✓

OS	M915	M910	M905	M805	M710	M710HD	M610	M610x	M605
Microsoft Windows Server 2003 Standard/Enterprise (x64) Edition									✓
Microsoft Windows Server 2003 R2 Standard/Enterprise (x64) Edition			✓	✓	✓		✓	✓	✓
Microsoft Windows Server 2003 R2 Datacenter (x64) Edition					✓		✓	✓	
Microsoft Windows Server 2003 R2 Standard/Enterprise /Datacenter (x64) Edition With SP2		✓							
Red Hat Enterprise Linux AS/ES/WS (バージョン 4.0) アップデート 5 (x86)			✓	✓					✓
Red Hat Enterprise Linux AS/ES/WS (バージョン 4.0) アップデート 5 (x86_64)			✓	✓					✓
Red Hat Enterprise Linux AS/ES (バージョン 4.7) (x86)					✓		✓		
Red Hat Enterprise Linux AS/ES (バージョン 4.7) (x86_64)					✓		✓		
Red Hat Enterprise Linux AS/ES (バージョン 4.8) (x86)						✓		✓	
Red Hat Enterprise Linux AS/ES (バージョン 4.8) (x86_64)						✓		✓	

OS	M915	M910	M905	M805	M710	M710HD	M610	M610x	M605
Red Hat Enterprise Linux (バージョン 5.0) (x86)			✓	✓		✓			✓
Red Hat Enterprise Linux (バージョン 5.0) (x86_64)			✓	✓	✓	✓			✓
Red Hat Enterprise Linux (バージョン 5.2) (x86)					✓				
Red Hat Enterprise Linux (バージョン 5.5) (x86)	✓					✓		✓	
Red Hat Enterprise Linux (バージョン 5.5) (x86_64)	✓					✓		✓	
Red Hat Enterprise Linux (バージョン 6.0) (x86_64)	✓								
SUSE Linux Enterprise Server 10 (x86_64)			✓	✓	✓				✓
SUSE Linux Enterprise Server 10 (x86_64) SP3	✓	✓				✓		✓	
SUSE Linux Enterprise Server 11 (x86_64)	✓	✓				✓		✓	
Solaris 10 (x86_64)		✓	✓	✓	✓	✓	✓		✓
VMware ESX バージョン 3.0			✓	✓	✓		✓		
VMware ESX バージョン 3.0.2 アップデート 1									✓
VMware ESX バージョン 3.5			✓	✓	✓		✓		


OS	M915	M910	M905	M805	M710	M710HD	M610	M610x	M605
VMware ESX バージョン 4.0 アップデート 1		✓				✓		✓	
VMware ESXi バージョン 4.0 アップデート 1		✓				✓		✓	
VMware ESX バージョン 4.0 アップデート 2	✓								
VMware ESXi バージョン 4.0 アップデート 2	✓								
VMware ESX バージョン 4.1 アップデート 1	✓								
VMware ESXi バージョン 4.1 アップデート 1	✓								

✓— サポートされている組み合わせ。




メモ： PowerEdge の各システムでサポートされている OS の最新情報については、dell.com/ossupport を参照してください。

その他の情報

 **警告：** 次の手順を実行する前に、システムに付属しているマニュアルの「安全にお使いいただくために」をお読みください。

- 『Configuration Guide』（設定ガイド）では、システムエンクロージャとブレードの設定について説明しています。
- ラックソリューションに付属の『ラック取り付けガイド』では、システムをラックに取り付ける方法について説明しています。
- 『ハードウェアオーナーズマニュアル』では、システムの機能、トラブルシューティングの方法、およびコンポーネントの取り付け方や交換方法について説明しています。
- Dell システム管理アプリケーションのマニュアルでは、システム管理ソフトウェアのインストール方法と使い方を説明しています。

 **メモ：** アップデートには他の文書の内容を差し替える情報が含まれている場合がよくありますので、support.dell.com/manuals でアップデートがないかどうかを常に確認し、初めにお読みください。

テクニカルサポートの利用法

本書の手順が理解できない場合やシステムが思ったとおりに動作しない場合は、『ハードウェアオーナーズマニュアル』を参照してください。デルでは広範囲にわたるハードウェアのトレーニングと資格認証を実施しています。詳細については、dell.com/training を参照してください。このサービスが提供されていない地域もあります。

仕様

ブレードの仕様

プロセッサ

プロセッサのタイプ

PowerEdge M915	AMD Opteron 6000 シリーズのプロセッサ 2 個または 4 個 (8 コアまたは 12 コア)
PowerEdge M910	Intel Xeon 7000 シリーズのプロセッサ 2 個または 4 個 (8 コアまで)
PowerEdge M905	デュアルコアまたはクアドコア AMD Opteron 8000 シリーズのプロセッサ 4 個
PowerEdge M805	デュアルコアまたはクアドコア AMD Opteron 2000 シリーズのプロセッサ 2 個
PowerEdge M710HD/M710/M610x/M610	デュアルコア、クアドコア、またはシックスコア Intel Xeon 5000 シリーズのプロセッサ 1 個または 2 個
PowerEdge M605	デュアルコアまたはクアドコア AMD Opteron 2000 シリーズのプロセッサ 1 個または 2 個
PowerEdge M600	クアドコアまたはデュアルコア Intel Xeon プロセッサが 1 個または 2 個

メモリ

アーキテクチャ

PowerEdge M915	1333 MHz DDR3 シングル、デュアル、またはクアドランクのレジスタ LV DIMM (RDIMM)
PowerEdge M910	DDR3 メモリモジュール、動作周波数 1066 MHz
PowerEdge M905/M805/M605	DDR2 メモリモジュール、動作周波数 677 MHz
PowerEdge M710HD	DDR3 および DDR3L のシングル、デュアル、およびクアドランクメモリモジュール、動作周波数 1066 および 1333 MHz

メモリ (続き)

PowerEdge M710/M610x/M610	800、1066、または 1333 MHz の DDR3 シングルまたはデュアルランク、レジスタ DIMM (RDIMM) またはバッファなし DIMM (UDIMM) または 800 または 1066 MHz の DDR3 クアッドランク、レジスタ DIMM (RDIMM) またはバッファなし DIMM (UDIMM)
PowerEdge M600	FBD メモリモジュール、動作周波数 677 MHz

メモリモジュールソケット

PowerEdge M915/M910	240 ピンソケット 32 個
PowerEdge M905	240 ピンソケット 24 個
PowerEdge M805	240 ピンソケット 16 個
PowerEdge M710HD/M710	240 ピンソケット 18 個
PowerEdge M610x/M610	240 ピンソケット 12 個
PowerEdge M605/M600	240 ピンソケット 8 個

メモリモジュールの容量

PowerEdge M915	1 GB、2 GB、4 GB、8 GB、および 16 GB の LV DIMM
PowerEdge M910	1 GB、2 GB、4 GB、8 GB、および 16 GB の RDIMM
PowerEdge M905/M805	1 GB、2 GB、4 GB、および 8 GB
PowerEdge M710HD	1 GB、2 GB、4 GB、8 GB、および 16 GB の RDIMM および LV DIMM
PowerEdge M710/M610x/M610	2 GB、4 GB、8 GB、および 16 GB の RDIMM および LV DIMM; 1 GB および 2 GB の UDIMM
PowerEdge M605/M600	512 MB、1 GB、2 GB、4 GB、および 8 GB

メモリ (続き)

最小 RAM

PowerEdge M915	8 GB
PowerEdge M910	4 GB
PowerEdge M905	8 GB (1 GB のメモリモジュール 8 枚)
PowerEdge M805	4 GB (1 GB のメモリモジュール 4 枚)
PowerEdge M710D	4 GB
PowerEdge M710/M610x/M610	1 GB のメモリモジュール 1 枚 (プロセッサが 1 個のシステム) または 1 GB メモリモジュール 2 枚 (プロセッサが 2 個のシステム)
PowerEdge M605/M600	1 GB (512 MB のメモリモジュール 2 枚)

最大 RAM

PowerEdge M915	512 GB
PowerEdge M910	512 GB
PowerEdge M905	192 GB
PowerEdge M805	128 GB
PowerEdge M710HD	288 GB
PowerEdge M710	288 GB (16 GB の RDIMM 18 枚) 36 GB (2 GB の UDIMM 18 枚)
PowerEdge M610x/ M610	192 GB (16 GB の RDIMM 12 枚) 24 GB (2 GB の UDIMM 12 枚)
PowerEdge M605/M600	64 GB

ドライブ

ハードドライブ

PowerEdge M915/M910	2.5 インチ SAS ハードドライブ 2 台までバリュウ RAID またはパフォーマンス RAID ストレージカードによるサポート または 2.5 インチ SSD ハードドライブ 2 台までバリュウ RAID またはパフォーマンス RAID ストレージカードによるサポート
PowerEdge M905/M805	2.5 インチ SAS ハードドライブ 2 台までバリュウ RAID またはパフォーマンス RAID ストレージカードによるサポート
PowerEdge M710HD	2.5 インチ SAS ハードドライブ 2 台まで PERC H200 内蔵ストレージコントローラによるサポート または 2.5 インチ SSD ハードドライブ 2 台まで PERC H200 内蔵ストレージコントローラによるサポート
PowerEdge M710	2.5 インチ SAS ハードドライブ 4 台までバリュウ RAID またはパフォーマンス RAID ストレージカードによるサポート
PowerEdge M600/M610x/M610	2.5 インチ SATA ハードドライブ 1 台非 RAID、バリュウ RAID、またはパフォーマンス RAID ストレージカードによるサポート または 2.5 インチ SATA ハードドライブ 2 台バリュウ RAID またはパフォーマンス RAID ストレージカードによるサポート または ソリッドステートディスク (SSD) ハードドライブ 1 台非 RAID ストレージカードによるサポート または SAS ハードドライブ 2 台までバリュウ RAID またはパフォーマンス RAID ストレージカードによるサポート

ドライブ (続き)

PowerEdge M605	<p>SATA ハードドライブ 2 台までバリュー RAID またはパフォーマンス RAID ストレージカードによるサポート</p> <p>または</p> <p>ソリッドステートディスク (SSD) ハードドライブ 2 台まで非 RAID ストレージカードによるサポート</p> <p>または</p> <p>SAS ハードドライブ 2 台までバリュー RAID またはパフォーマンス RAID ストレージカードによるサポート</p> <p>メモ: いずれのモジュラーシステムの場合も、1 台のブレード内に SAS と SATA のハードドライブを混在させることはできません。</p> <p>メモ: オプションの RAID コントローラカードが取り付けられている場合は、ホットプラグドライブ操作がサポートされます。</p>
----------------	--

コネクタ

外部

USB

PowerEdge M915/M910/M905/ M805/M710	4 ピン USB 2.0 対応コネクタ 3 個
PowerEdge M710HD/M610x/M610 /M605/ M600	4 ピン USB 2.0 対応 2 個

コネクタ（続き）

内蔵

内蔵 SD モジュール (PowerEdge M915/M910/M905/M805/M710HD/M710/M610x/M610)	内蔵 SD モジュールを備えたオプションのフラッシュメモ리카ードスロット 1 個
内蔵 SD vFlash モジュール (PowerEdge M915/M910/M710HD/M710/M610x/M610)	iDRAC Enterprise 用のオプションの VFlash メモ리카ードスロット 1 個
USB キー (PowerEdge M915/M910/M710HD/M710/M610x/M610)	内部 USB キーコネクタ 1 個

PCIe 拡張ソリューション

PowerEdge M610x	シングルワイド（2 枚）またはダブルワイド（1 枚）のフルレンガス標準 PCIe カードをサポート
-----------------	---

メザニンカード

PowerEdge M915/M910	PCIe Gen 2 x8 メザニンカードスロット 4 個まで：デュアルポート Gb イーサネット、10 Gb イーサネット、FC8 ファイバーチャネル、または Infiniband メザニンカードをサポート
PowerEdge M905/M805	PCIe Gen 1 x8 メザニンカードスロット 4 個まで：デュアルポート Gb イーサネット、10 Gb イーサネット、FC8 または FC4 ファイバーチャネル、または 4x DDR Infiniband メザニンカードをサポート
PowerEdge M710HD	PCIe Gen 2 x8 メザニンカードスロット 2 個まで：デュアルポートおよびクアドポート Gb イーサネット、10 Gb イーサネット、FC8 または FC4 ファイバーチャネル、または 4x DDR Infiniband メディアカードをサポート

メザニンカード（続き）

PowerEdge M710	PCIe Gen 2 メザニンカードスロット 4 個まで（x8 レーン幅 3 個と x4 レーン幅 1 個）、デュアルポート Gb イーサネット、10 Gb イーサネット、FC8 または FC4 ファイバーチャネル、または 4x DDR Infiniband メザニンカードをサポート
PowerEdge M610x/M610	PCIe Gen 2 x8 メザニンカードスロット 2 個まで：デュアルポート Gb イーサネット、10 Gb イーサネット、FC8 または FC4（M610 のみ）ファイバーチャネル、または 4x DDR Infiniband メザニンカードをサポート
PowerEdge M605/M600	PCIe x8 メザニンカードスロット 2 個まで：デュアルポート Gb イーサネット、10 Gb イーサネット、FC8 または FC4 ファイバーチャネル、または 4x DDR Infiniband メザニンカードをサポート

内蔵イーサネットコントローラ

PowerEdge M915/M910/ M905/M805/M710HD/ M710	TOE および iSCSI ブート対応のイーサネットポート 4 個（内蔵デュアルポート Broadcom 5709S イーサネットコントローラ 2 つによって提供）
PowerEdge M610x/M610	TOE および iSCSI ブート対応のイーサネットポート 2 個（内蔵デュアルポート Broadcom 5709S イーサネットコントローラ 1 つによって提供）
PowerEdge M605/M600	TOE および iSCSI ブート対応のイーサネットポート 2 個（内蔵 Broadcom 5708S コントローラ 2 つによって提供）

ビデオコントローラ

PowerEdge M905/M805/M605/M600	ATI RN50 ビデオコントローラ、32 MB ビデオメモリ
PowerEdge M915/M910/M710HD/M710/ M610x/M610	Matrox G200 ビデオコントローラ、8 MB ビデオメモリ

サイズと重量

PowerEdge M915

縦幅	38.5 cm
横幅	5 cm
奥行き	48.6 cm
重量（最大構成）	12.7 kg

PowerEdge M910

縦幅	38.5 cm
横幅	5 cm
奥行き	48.6 cm
重量（最大構成）	13.1 kg

PowerEdge M905/M805/M710/M610x

縦幅	38.5 cm
横幅	5 cm
奥行き	48.6 cm
重量（最大構成）	11.1 kg

PowerEdge M710HD

縦幅	18.9 cm
横幅	5 cm
奥行き	48.6 cm
重量（最大構成）	7.4 kg

PowerEdge M605/M600

縦幅	18.9 cm
横幅	5 cm
奥行き	48.6 cm
重量（最大構成）	5.2 ~ 6.4 kg

バッテリー

NVRAM バックアップバッテリ 3.0 V コイン型リチウムバッテリー CR 2032
テリ

システムエンクロージャの仕様

サイズと重量

縦幅	44.0 cm
横幅	44.7 cm
奥行き	75.5 cm
重量（最大構成）	178.3 kg
重量（空の状態）	44.6 kg

電源ユニットモジュール

AC/DC 電源ユニット（1 台あたり）

ワット数	2360 W および 2700 W
コネクタ	IEC C20
熱消費	1205 BTU/時 最大
最大流入電流	通常のラインコンディションのもと、システムの動作環境全範囲で、電源ユニット 1 台につき 10 ミリ秒以下で 55 A の入電量を許容できます。

システムの電圧要件 14.4 A、200 ~ 240 VAC、50/60 Hz

オプションの Avocent iKVM モジュール

外部アクセス用コネクタ

USB	キーボード / マウス用 4 ピン USB 2.0 対応コネクタ 2 個
ACI ポート	RJ-45
ビデオ	15 ピン VGA

シャーシ管理コントローラモジュール

外部アクセス用コネクタ

リモート管理	専用 10/100/1000 Mb RJ-45 (内蔵イーサネットリモートアクセスコントローラ用) コネクタ 2 個。Gb ポートは外部管理ネットワークに接続。STK ポートは、隣接するエンクロージャ内の CMC をデジチェーン接続するために使用できません。
--------	---

シリアル	16550 互換 9 ピン DTE
------	-------------------

ビデオ	15 ピン VGA
-----	-----------

バッテリー	3.0 V コイン型リチウムイオンバッテリー CR 2032
-------	--------------------------------

エンクロージャのコントロールパネル

外部アクセス用コネクタ

USB	キーボード / マウス用 4 ピン USB 2.0 対応コネクタ 2 個
-----	--------------------------------------

ビデオ	15 ピン VGA
-----	-----------

LCD パネル

機能	カーソルコントロールキー 4 個、セレクトキー 1 個、LCD 画面
----	------------------------------------

環境

メモ：特定のシステム構成でのその他の環境条件の詳細については、dell.com/environmental_datasheets を参照してください。このシステムはオフィス環境用ではありません。

温度

動作時	10 ~ 35 °C
-----	------------

メモ：900 m を超える場所では、300 m 上昇するごとに最大温度を 1 °C 下げます。

保管時	-40 ~ 65 °C
-----	-------------

環境（続き）

相対湿度

動作時 最大湿球温度 29 °C で 20 ~ 80 パーセント（結露しないこと）

保管時 最大湿球温度 38 °C で 5 ~ 95 パーセント（結露しないこと）

最大振動

動作時 15 分間にわたり 10 ~ 350 Hz で 0.26 Grms

保管時 15 分間にわたり 10 ~ 250 Hz で 1.54 Grms

最大衝撃

動作時 z 軸の正方向に 2 ミリ秒以下で 41 G の 1 衝撃パルス（システムの各面に対して 1 パルス）

保管時 x、y、z 軸の正および負方向に 6 連続衝撃パルス（システムの各面に対して 1 パルス）、2 ミリ秒以下で 71 G

高度

動作時 -15.2 ~ 3,048 m

保管時 -15.2 ~ 10,600 m

空気汚染物質レベル

クラス G1（ISA-571.04-1985 の定義による）

I/O モジュールの仕様

お使いのエンクロージャでサポートされている I/O モジュールおよびパススルーモジュールについては、support.dell.com/manuals で『Dell PowerEdge M1000e 設定ガイド』を参照してください。

Dell PowerEdge
M1000e, M915, M910, M905,
M805, M710HD, M710, M610x,
M610, M605 및 M600
시스템 시작 안내서

모델 BMX01, HHB 시리즈, FHB 시리즈



주, 주의 및 경고



주: "주"는 컴퓨터를 보다 효율적으로 사용하는 데 도움을 주는 중요 정보를 알려줍니다.



주의: "주의"는 지침을 준수하지 않을 경우의 하드웨어 손상이나 데이터 손실 위험을 설명합니다.



경고: "경고"는 재산상의 피해나 심각한 부상 또는 사망을 유발할 수 있는 위험이 있음을 알려줍니다.

이 발행물에 수록된 정보는 사전 통보 없이 변경될 수 있습니다.

© 2010 Dell Inc. 저작권 본사 소유.

Dell Inc.의 서면 승인 없이 어떠한 방식으로든 본 자료를 무단 복제하는 행위는 엄격히 금지됩니다.

본 설명서에 사용된 상표인 Dell™, DELL 로고 및 PowerEdge™는 Dell Inc.의 상표입니다.

Citrix™ 및 XenServer®는 Citrix Systems, Inc. 및/또는 하나 이상의 자회사의 등록 상표 또는 상표이며, 미국 특허 상표청과 기타 국가의 특허 기관에 등록되어 있을 수 있습니다. Intel®은 미국 및 기타 국가에서 Intel Corporation의 등록 상표입니다. Microsoft®, Windows® 및 Windows Server®는 미국 및/또는 기타 국가에서 Microsoft Corporation의 상표 또는 등록 상표입니다.

Red Hat® 및 Red Hat Enterprise Linux®는 미국 및 기타 국가에서 Red Hat Inc.의 등록 상표입니다. SUSE®는 미국 및 기타 국가에서 Novell, Inc.의 등록 상표입니다. VMware®는 미국 및/또는 기타 관할 지역에서 VMware, Inc.의 등록 상표 또는 상표입니다. Solaris™는 미국 및 기타 국가에서 Sun Microsystems, Inc.의 상표입니다.

본 발행물에서 특정 회사의 상표 및 회사 이름 또는 제품을 지칭하기 위해 기타 상표 및 상호를 사용할 수도 있습니다. Dell Inc.는 자사가 소유하고 있는 것 이외에 기타 모든 상표 및 상호에 대한 어떠한 소유권도 없습니다.

모델 BMX01, HHB 시리즈, FHB 시리즈

2010 년 12 월 P/N PPTRT Rev. A00

설치 및 구성

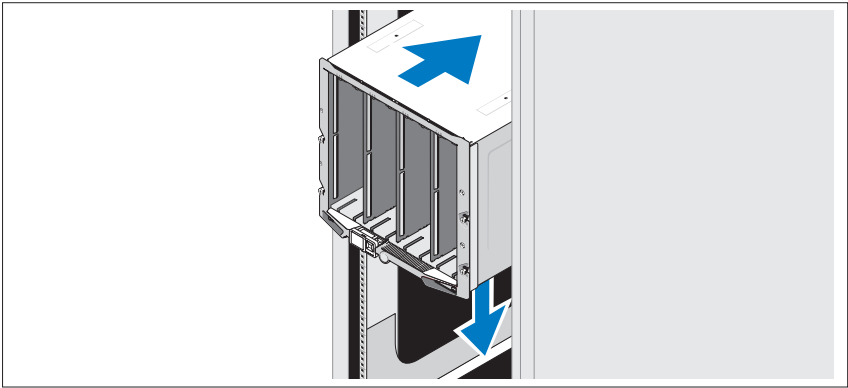
⚠ 경고 : 다음 절차를 수행하기 전에 시스템과 함께 제공되는 안전 지침을 검토하십시오.

이 항목에서는 처음 시스템을 설정하는 데 필요한 단계를 설명합니다.

시스템 포장 풀기

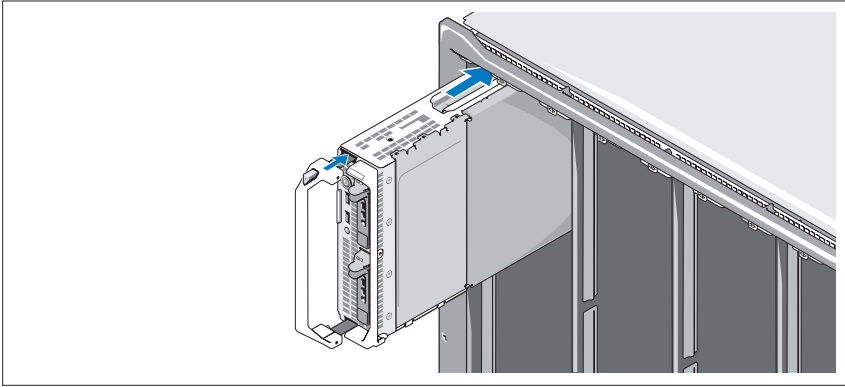
시스템 포장을 풀고 각 항목을 확인합니다.

랙에 레일 및 시스템 설치



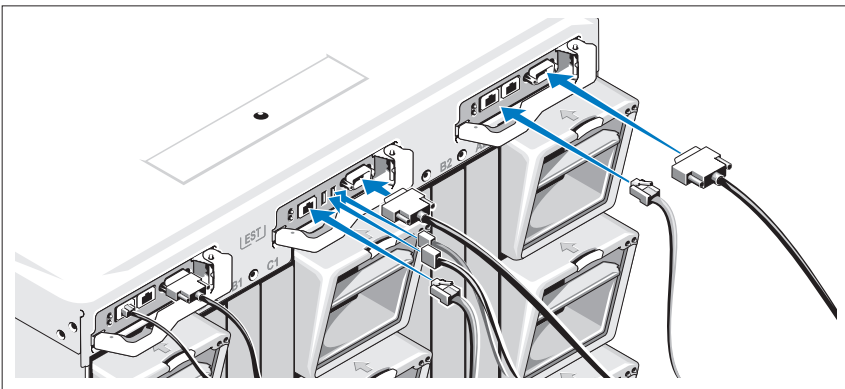
인클로저와 함께 제공된 안전 지침 및 랙 설치 지침에 따라 레일을 조립하고 시스템을 랙에 설치합니다.

블레이드 설치



위로부터 시작하여 인클로저로 모듈을 왼쪽에서 오른쪽으로 밀어 넣습니다. 블레이드가 올바르게 설치되면 핸들이 닫힌 위치로 돌아갑니다.

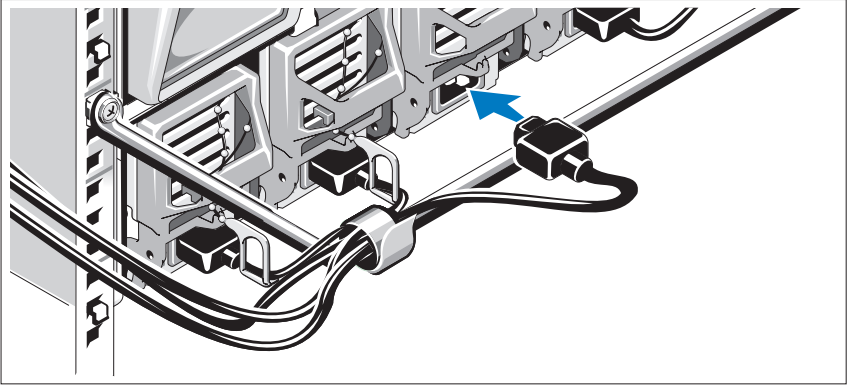
CMC 및 KVM 모듈 연결



관리 시스템의 직렬 케이블과 네트워크 케이블을 CMC 모듈에 연결합니다. 두 번째 CMC 모듈 옵션 또한 설치된 경우 연결합니다.

iKVM 모듈 옵션에 키보드, 마우스 및 모니터를 연결합니다.

시스템에 전원 연결



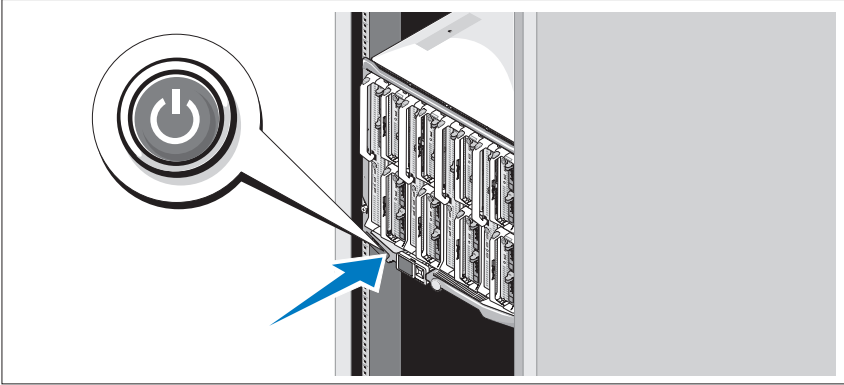
시스템의 전원 케이블을 시스템 전원 공급 장치에 연결합니다.

- △ 주의 : 전원 케이블이 실수로 분리되지 않도록 하려면 각 전원 공급 장치에 플라스틱 클립을 사용하여 전원 케이블을 전원 공급 장치에 고정하고 당김 안전 끈을 사용하여 케이블을 고정 완화 막대에 고정합니다 .

전원 케이블의 다른 쪽 끝을 PDU(배전 장치)에 연결합니다.

- △ 주의 : 전원 케이블을 전원 콘센트에 직접 연결하지 말고 반드시 PDU 를 사용해야 합니다 . 시스템이 최상의 상태로 작동하려면 전원 공급 장치가 최소한 3 개 필요합니다 .

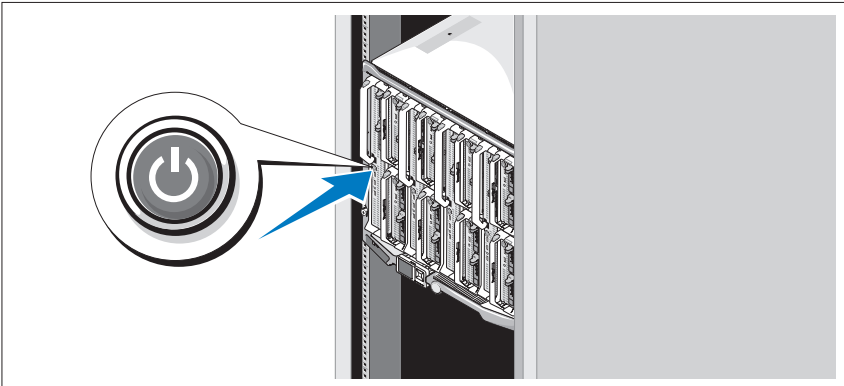
시스템 켜기



인클로저의 전원 단추를 누릅니다. 전원 표시등이 켜집니다.

주: 시스템을 전원 공급 장치에 연결한 후 시스템을 켤 수 있을 때까지 약간의 지연이 있을 수 있습니다.

블레이드 켜기



각 블레이드의 전원 단추를 누르거나 시스템 관리 소프트웨어를 사용하여 블레이드의 전원을 켭니다.

운영 체제 설치 완료

시스템 구입 시 운영 체제가 미리 설치되어 있는 경우 시스템과 함께 제공되는 운영 체제 설명서를 참조하십시오. 운영 체제를 처음 설치하려면 운영 체제에 대한 설치 및 구성 설명서를 참조하십시오. 시스템과 함께 구입하지 않은 하드웨어 또는 소프트웨어를 설치하기 전에 운영 체제가 설치되어 있는지 확인하십시오.

지원되는 운영 체제

운영 체제	M915	M910	M905	M805	M710	M710HD	M610	M610x	M605
Citrix XenServer 5.5			✓	✓	✓		✓		✓
Citrix XenServer 5.6	✓	✓	✓	✓	✓	✓	✓	✓	✓
Microsoft Windows Server 2008 Hyper-V Server	✓	✓				✓			
Microsoft Windows Essential Business Server 2008 Standard 및 Premium Edition		✓				✓		✓	
Microsoft Windows HPC Server 2008(x64)	✓	✓						✓	
Microsoft Windows Server 2008 Standard 및 Enterprise(x86) Edition		✓			✓	✓	✓	✓	
Microsoft Windows Web Server 2008 (x86) Edition		✓			✓	✓	✓		
Microsoft Windows Web Server 2008 (x86) Edition SP2		✓							
Microsoft Windows Server 2008 Standard 및 Enterprise(x86) Edition SP2		✓				✓		✓	

운영 체제	M915	M910	M905	M805	M710	M710HD	M610	M610x	M605
Microsoft Windows Server 2008 Standard, Enterprise 및 Datacenter (x64) Edition		✓	✓	✓	✓		✓	✓	
Microsoft Windows Web Server 2008 (x64) Edition		✓			✓		✓	✓	
Microsoft Windows Web Server 2008 (x64) Edition SP2	✓	✓				✓		✓	
Microsoft Windows Server 2008 R2 Standard, Enterprise 및 Datacenter(x64) Edition	✓	✓				✓		✓	
Microsoft Windows Server 2003 Standard 및 Enterprise Edition									✓
Microsoft Windows Server 2003 Web Edition		✓						✓	✓
Microsoft Windows Server 2003 Standard, Enterprise 및 Web Edition (SP1 이상)									✓
Microsoft Windows Server 2003 R2 Standard 및 Enterprise(x86) Edition		✓	✓	✓	✓		✓	✓	✓
Microsoft Windows Server 2003 Standard 및 Enterprise(x64) Edition									✓

운영 체제	M915	M910	M905	M805	M710	M710HD	M610	M610x	M605
Microsoft Windows Server 2003 R2 Standard 및 Enterprise(x64) Edition			✓	✓	✓		✓	✓	✓
Microsoft Windows Server 2003 R2 Datacenter(x64) Edition					✓		✓	✓	
Microsoft Windows Server 2003 R2 Standard, Enterprise 및 Datacenter(x64) Edition SP2		✓							
Red Hat Enterprise Linux AS, ES 및 WS(버전 4.0) 업데이트 5(x86)			✓	✓					✓
Red Hat Enterprise Linux AS, ES 및 WS(버전 4.0) 업데이트 5(x86_64)			✓	✓					✓
Red Hat Enterprise Linux AS 및 ES (버전 4.7)(x86)					✓		✓		
Red Hat Enterprise Linux AS 및 ES (버전 4.7)(x86_64)					✓		✓		
Red Hat Enterprise Linux AS 및 ES (버전 4.8)(x86)						✓		✓	
Red Hat Enterprise Linux AS 및 ES (버전 4.8)(x86_64)						✓		✓	

운영 체제	M915	M910	M905	M805	M710	M710HD	M610	M610x	M605
Red Hat Enterprise Linux(버전 5.0) (x86)			✓	✓		✓			✓
Red Hat Enterprise Linux(버전 5.0) (x86_64)			✓	✓	✓	✓			✓
Red Hat Enterprise Linux(버전 5.2) (x86)					✓				
Red Hat Enterprise Linux(버전 5.5) (x86)	✓					✓		✓	
Red Hat Enterprise Linux(버전 5.5) (x86_64)	✓					✓		✓	
Red Hat Enterprise Linux(버전 6.0) (x86_64)	✓								
SUSE Linux Enterprise Server 10 (x86_64)			✓	✓	✓				✓
SUSE Linux Enterprise Server 10 (x86_64) SP3	✓	✓				✓		✓	
SUSE Linux Enterprise Server 11 (x86_64)	✓	✓				✓		✓	
Solaris 10(x86_64)		✓	✓	✓	✓	✓	✓		✓
VMware ESX 버전 3.0			✓	✓	✓		✓		
VMware ESX 버전 3.0.2 업데이트 1									✓
VMware ESX 버전 3.5			✓	✓	✓		✓		

운영 체제	M915	M910	M905	M805	M710	M710HD	M610	M610x	M605
VMware ESX 버전 4.0 업데이트 1		✓				✓		✓	
VMware ESXi 버전 4.0 업데이트 1		✓				✓		✓	
VMware ESX 버전 4.0 업데이트 2	✓								
VMware ESXi 버전 4.0 업데이트 2	✓								
VMware ESX 버전 4.1 업데이트 1	✓								
VMware ESXi 버전 4.1 업데이트 1	✓								

✓ — 지원됨



주: 모든 PowerEdge 시스템에서 지원되는 운영 체제에 대한 최신 정보는 dell.com/ossupport를 참조하십시오.

기타 필요한 정보



경고: 다음 절차를 수행하기 전에 시스템과 함께 제공되는 안전 지침을 검토하십시오.

- 구성 설명서에서는 시스템 인클로저 및 블레이드 구성에 대해 설명합니다.
- 랙 솔루션과 함께 제공되는 랙 설치 지침에서는 시스템을 랙에 설치하는 방법을 설명합니다.
- 하드웨어 소유자 매뉴얼에서는 시스템 기능에 대한 정보를 제공하고 시스템 문제 해결 방법 및 시스템 구성요소 설치 또는 교체 방법을 설명합니다.
- Dell 시스템 관리 응용프로그램 설명서에서는 시스템 관리 소프트웨어를 설치하고 사용하는 방법에 대한 정보를 제공합니다.



주: 새로운 업데이트가 없는지 support.dell.com/manuals에서 항상 확인하십시오. 업데이트에는 최신 정보가 수록되어 있으므로 다른 문서를 읽기 전에 반드시 먼저 참조하시기 바랍니다.

기술 지원 얻기

본 안내서의 절차가 잘 이해되지 않거나 시스템이 제대로 작동하지 않을 경우 *하드웨어 소유자 매뉴얼*을 참조하십시오. Dell은 포괄적인 하드웨어 교육 및 인증을 제공합니다. 자세한 내용은 dell.com/training을 참조하십시오. 지역에 따라 이 서비스가 제공되지 않을 수도 있습니다.

기술 사양

블레이드 사양

프로세서

프로세서 유형

PowerEdge M915	AMD Opteron 6000 시리즈 프로세서(8 또는 12 코어 프로세서) 2개 또는 4개
PowerEdge M910	Intel Xeon 7000 시리즈 프로세서 2개 또는 4개 (최대 8 코어 프로세서)
PowerEdge M905	듀얼 또는 쿼드 코어 AMD Opteron 8000 시리즈 프로세서 4개
PowerEdge M805	듀얼 코어 또는 쿼드 코어 AMD Opteron 2000 시리즈 프로세서 2개
PowerEdge M710HD, M710, M610x, M610	듀얼 코어, 쿼드 코어 또는 식스 코어 Intel Xeon 5000 시리즈 프로세서 1개 또는 2개
PowerEdge M605	듀얼 코어 또는 쿼드 코어 AMD Opteron 2000 시리즈 프로세서 1개 또는 2개
PowerEdge M600	듀얼 코어 또는 쿼드 코어 Intel Xeon 프로세서 1개 또는 2개

메모리

아키텍처

PowerEdge M915	1333MHz DDR3 단일, 2중 또는 4중 등급 Registered LV DIMM(RDIMM)
PowerEdge M910	DDR3 메모리 모듈, 정격 1066MHz에서 작동
PowerEdge M905, M805, M605	DDR2 메모리 모듈, 정격 677MHz에서 작동

메모리 (계속)

PowerEdge M710HD	DDR3 및 DDR3L 단일, 2중 및 4중 등급 메모리 모듈, 정격 1066 및 1333MHz
PowerEdge M710, M610x, M610,	800, 1066 또는 1333MHz DDR3 단일 또는 2중 등급 Registered DIMM(RDIMM) 또는 Unbuffered DIMM(UDIMM) 또는 800 또는 1066MHz DDR3 4중 등급 Registered DIMM(RDIMM) 또는 Unbuffered DIMM(UDIMM)
PowerEdge M600	정격 677MHz에서 작동하는 FBD 메모리 모듈

메모리 모듈 소켓

PowerEdge M915, M910	240핀 소켓 32개
PowerEdge M905	240핀 소켓 24개
PowerEdge M805	240핀 소켓 16개
PowerEdge M710HD, M710	240핀 소켓 18개
PowerEdge M610x, M610	240핀 소켓 12개
PowerEdge M605, M600	240핀 소켓 8개

메모리 모듈 용량

PowerEdge M915	1GB, 2GB, 4GB, 8GB 및 16GB LV DIMM
PowerEdge M910	1GB, 2GB, 4GB, 8GB, 16GB RDIMM
PowerEdge M905, M805,	1GB, 2GB, 4GB, 8GB
PowerEdge M710HD	1GB, 2GB, 4GB, 8GB, 16GB RDIMM 및 LV DIMM
PowerEdge M710, M610x, M610	2GB, 4GB, 8GB, 16GB RDIMM 및 LV DIMM, 1GB 또는 2GB UDIMM
PowerEdge M605, M600	512MB, 1GB, 2GB, 4GB, 8GB

최소 RAM

PowerEdge M915	8GB
PowerEdge M910	4GB
PowerEdge M905	8GB(1GB 메모리 모듈 8개)
PowerEdge M805	4GB(1GB 메모리 모듈 4개)

메모리 (계속)

PowerEdge M710D	4GB
PowerEdge M710, M610x, M610	1GB 메모리 모듈 1개(1 프로세서 시스템) 또는 1GB 메모리 모듈 2개(2 프로세서 시스템)
PowerEdge M605, M600	1GB(512MB 메모리 모듈 2개)

최대 RAM

PowerEdge M915	512GB
PowerEdge M910	512GB
PowerEdge M905	192GB
PowerEdge M805	128GB
PowerEdge M710HD	288GB
PowerEdge M710	288GB (16GB RDIMM 18개); 36GB (2GB UDIMM 18개)
PowerEdge M610x, M610	192GB (16GB RDIMM 12개); 24GB (2GB UDIMM 12개)
PowerEdge M605, M600	64GB

드라이브

하드 드라이브

PowerEdge M915, M910	가치 RAID 또는 성능 RAID 저장소 카드를 통해 최대 2개의 2.5인치 SAS 하드 드라이브 지원 또는 가치 RAID 또는 성능 RAID 저장소 카드를 통해 최대 2개의 2.5인치 SSD 하드 드라이브 지원
PowerEdge M905, M805	가치 RAID 또는 성능 RAID 저장소 카드를 통해 최대 2개의 2.5인치 SAS 하드 드라이브 지원
PowerEdge M710HD	PERC H200 내장형 저장소 컨트롤러를 통해 최대 2개의 2.5인치 SAS 하드 드라이브 지원 또는 PERC H200 내장형 저장소 컨트롤러를 통해 최대 2개의 2.5인치 SSD 하드 드라이브 지원
PowerEdge M710	가치 RAID 또는 성능 RAID 저장소 카드를 통해 최대 4개의 2.5인치 SAS 하드 드라이브 지원

드라이브 (계속)

PowerEdge M600, M610x, M610	비 RAID, 가치 RAID 또는 성능 RAID 저장소 카드를 통해 1개의 2.5인치 SATA 하드 드라이브 지원 또는 가치 RAID 또는 성능 RAID 저장소 카드를 통해 2개의 2.5인치 SATA 하드 드라이브 지원 또는 비 RAID 저장소 카드를 통해 1개의 SSD(Solid-State Disk) 하드 드라이브 지원 또는 가치 RAID 또는 성능 RAID 저장소 카드를 통해 최대 2개의 SAS 하드 드라이브 지원
PowerEdge M605	가치 RAID 또는 성능 RAID 저장소 카드를 통해 최대 2개의 SATA 하드 드라이브 지원 또는 비 RAID 저장소 카드를 통해 최대 2개의 SSD(Solid State Disk) 하드 드라이브 지원 또는 가치 RAID 또는 성능 RAID 저장소 카드를 통해 최대 2개의 SAS 하드 드라이브 지원 주: 모든 모듈 시스템에서는 SAS 및 SATA 하드 드라이브를 블레이드에 함께 사용할 수 없습니다. 주: 핫 플러그 작업은 RAID 컨트롤러 카드(선택 사양)를 설치한 경우에만 지원됩니다.

커넥터

외부

USB

PowerEdge M915, M910, M905, M805, M710	4핀 USB 2.0 호환 3개
PowerEdge M710HD, M610x, M610, M605 M600	4핀 USB 2.0 호환 2개

커넥터 (계속)

내부

내부 SD(Secure Digital) 모듈 (PowerEdge M915, M910, M905, M805, M710HD, M710, M610x, M610) 내부 SD 모듈과 함께 제공되는 플래시 메모리 카드 슬롯(선택 사양) 1개

내부 SD(Secure Digital) VFlash 모듈 (PowerEdge M915, M910, M710HD, M710, M610x, M610) iDRAC Enterprise 지원용 VFlash 메모리 카드 슬롯(선택 사양) 1개

USB 키 (PowerEdge M915, M910, M710HD, M710, M610x, M610) 내부 USB 키 커넥터 1개

PCIe 확장 솔루션

PowerEdge M610x 두 개의 단일 와이드 또는 한 개의 이중 와이드 전체 길이 표준 PCIe 카드 지원

메자닌 카드

PowerEdge M915, M910 이중 포트 Gb 이더넷, 10Gb 이더넷, FC8 파이버 채널 또는 Infiniband 메자닌 카드를 지원하는 최대 4개의 PCIe Gen 2 x8 메자닌 카드 슬롯

PowerEdge M905, M805 이중 포트 Gb 이더넷, 10Gb 이더넷, FC8이나 FC4 파이버 채널 또는 4x DDR Infiniband 메자닌 카드를 지원하는 최대 4개의 PCIe Gen 1 x8 메자닌 카드 슬롯

PowerEdge M710HD 이중 포트 및 4중 포트 Gb 이더넷, 10Gb 이더넷, FC8이나 FC4 파이버 채널 또는 4x DDR Infiniband 메자닌 카드를 지원하는 최대 2개의 PCIe Gen 2 x8 메자닌 카드 슬롯

PowerEdge M710 이중 포트 Gb 이더넷, 10Gb 이더넷, FC8이나 FC4 파이버 채널 또는 4x DDR Infiniband 메자닌 카드를 지원하는 최대 4개의 PCIe Gen 2 메자닌 카드 슬롯(8배 폭 레인 3개 및 4배폭 레인 1개)

메자닌 카드 (계속)

PowerEdge M610x, M610	이중 포트 Gb 이더넷, 10Gb 이더넷, FC8이나 FC4(M610에만 해당) 파이버 채널 또는 4x DDR Infiniband 메자닌 카드를 지원하는 최대 2개의 PCIe Gen 2 x8 메자닌 카드 슬롯
-----------------------	--

PowerEdge M605, M600	이중 포트 Gb 이더넷, 10Gb 이더넷, FC8이나 FC4 파이버 채널 또는 4x DDR Infiniband 메자닌 카드를 지원하는 최대 2개의 PCIe x8 메자닌 카드 슬롯
----------------------	---

내장형 이더넷 컨트롤러

PowerEdge M915, M910, M905, M805, M710HD, M710	내장형 이중 포트 Broadcom 5709S 이더넷 컨트롤러 2개가 제공하는 TOE 및 iSCSI 부팅을 지원하는 이더넷 포트 4개
--	---

PowerEdge M610x, M610	내장형 이중 포트 Broadcom 5709S 이더넷 컨트롤러 1개가 제공하는 TOE 및 iSCSI 부팅을 지원하는 이더넷 포트 2개
-----------------------	---

PowerEdge M605, M600	내장형 Broadcom 5708S 컨트롤러 2개가 제공하는 TOE 및 iSCSI 부팅을 지원하는 이더넷 포트 2개
----------------------	---

비디오 컨트롤러

PowerEdge M905, M805, M605, M600	ATI RN50 비디오 컨트롤러 32MB 비디오 메모리
----------------------------------	--------------------------------

PowerEdge M915, M910, M710HD, M710, M610x, M610	Matrox G200 비디오 컨트롤러 8MB 비디오 메모리
---	----------------------------------

실제

PowerEdge M915

높이	38.5cm(15.2인치)
너비	5cm(2인치)
깊이	48.6cm(19.2인치)
무게 (최대 구성 시)	12.7kg(28lb)

실제 (계속)

PowerEdge M910

높이	38.5cm(15.2인치)
너비	5cm(2인치)
깊이	48.6cm(19.2인치)
무게 (최대 구성 시)	13.1kg(29lb)

**PowerEdge M905, M805,
M710, M610x**

높이	38.5cm(15.2인치)
너비	5cm(2인치)
깊이	48.6cm(19.2인치)
무게 (최대 구성 시)	11.1kg(24.5lb)

PowerEdge M710HD

높이	18.9cm(7.4인치)
너비	5cm(2인치)
깊이	48.6cm(19.2인치)
무게 (최대 구성 시)	7.4kg(16.3lb)

PowerEdge M605, M600

높이	18.9cm(7.4인치)
너비	5cm(2인치)
깊이	48.6cm(19.2인치)
무게 (최대 구성 시)	5.2-6.4kg(11.5-14.0lb)

배터리

NVRAM 백업 전지	CR 2032 3.0V 리튬 코인 셀
-------------	----------------------

시스템 인클로저 사양

실제

높이	44.0cm(17.3인치)
너비	44.7cm(17.6인치)
깊이	75.5cm(29.7인치)
무게(최대 구성 시)	178.3kg(392.2lb)
무게(비어 있을 경우)	44.6kg(98.1lb)

전원 공급 장치 모듈

AC/DC 전원 공급 장치(전원 공급 장치마다)

와트 2360W 및 2700W

Connector (외장형 직렬 커넥터) IEC C20

열 손실 1205BTU/hr 최대

최대 유입 전류 일반적인 라인 상태 및 전체 시스템의 주변 작동 범위에서는 유입 전류가 10ms 이하인 동안 전원 공급 장치마다 55A에 달할 수 있습니다.

시스템 전압 요구 사항 14.4A, 200–240VAC, 50/60Hz

Avocent iKVM 모듈 옵션

외부 액세스 가능 커넥터

USB 키보드 및 마우스 지원용 4핀 USB 2.0 호환 커넥터 2개

ACI 포트 RJ-45

비디오 15핀 VGA

새시 관리 컨트롤러 모듈

외부 액세스 가능 커넥터

원격 관리 내장형 이더넷 원격 액세스 컨트롤러 전용
10/100/1000Mb RJ-45 2개 Gb 포트는 외부 관리 네트워크에 연결됩니다. STK 포트는 데이지 체인 방식의 인접 인클로저에서 CMC를 허용합니다.

직렬 9핀, DTE, 16550 호환

비디오 15핀 VGA

배터리 CR 2032 3.0V 리튬 이온 코인 셀

인클로저 제어판

외부 액세스 가능 커넥터

USB 키보드 및 마우스 지원용 4핀 USB 2.0 호환 커넥터 2개

비디오 15핀 VGA

LCD 패널

기능 커서 제어 키 4개, 선택 키 1개 및 LCD 화면

환경

주: 특정 시스템 구성을 위한 환경 측정에 대한 자세한 내용은 dell.com/environmental_datasheets를 참조하십시오. 이 시스템은 사무실 환경에 적합하지 않습니다.

온도

작동 10° C~35° C(50° F~95° F)

주: 최고 온도는

900m(2955ft) 이상의 높이에서 300m(985ft)당 1° C (1.8° F)씩 낮아집니다.

보관 -40~65° C(-40~149° F)

환경 (계속)

상대 습도

작동	최고 습구 온도 29° C(84.2° F)에서 20%~80% (비응결)
보관	최고 습구 온도 38° C(100.4° F)에서 5%~95% (비응결)

최대 진동

작동	10Hz~350Hz에서 15분 동안 0.26Grms
보관	10Hz~250Hz에서 15분 동안 1.54Grms

최대 충격

작동	최대 2ms 동안 (+) z축으로 41G의 충격 펄스 1회 (시스템 각면에 1회의 펄스)
보관	최대 2ms 동안 (+/-) x, y, z축으로 71G의 연속 충격 펄스 6회(시스템 각면에 1회의 펄스)

고도

작동	-15.2m~3,048m(-50ft~10,000ft)
보관	-15.2m~10,600m(-50ft~35,000ft)

공기 중 오염 물질 수준

등급	ISA-S71.04-1985의 규정에 따른 G1
----	----------------------------

I/O 모듈 사양

해당 인클로저에서 지원되는 I/O 모듈 및 통과 모듈에 대한 자세한 내용은 support.dell.com/manuals의 *Dell PowerEdge M1000e 시스템 구성 설명서*를 참조하십시오.

